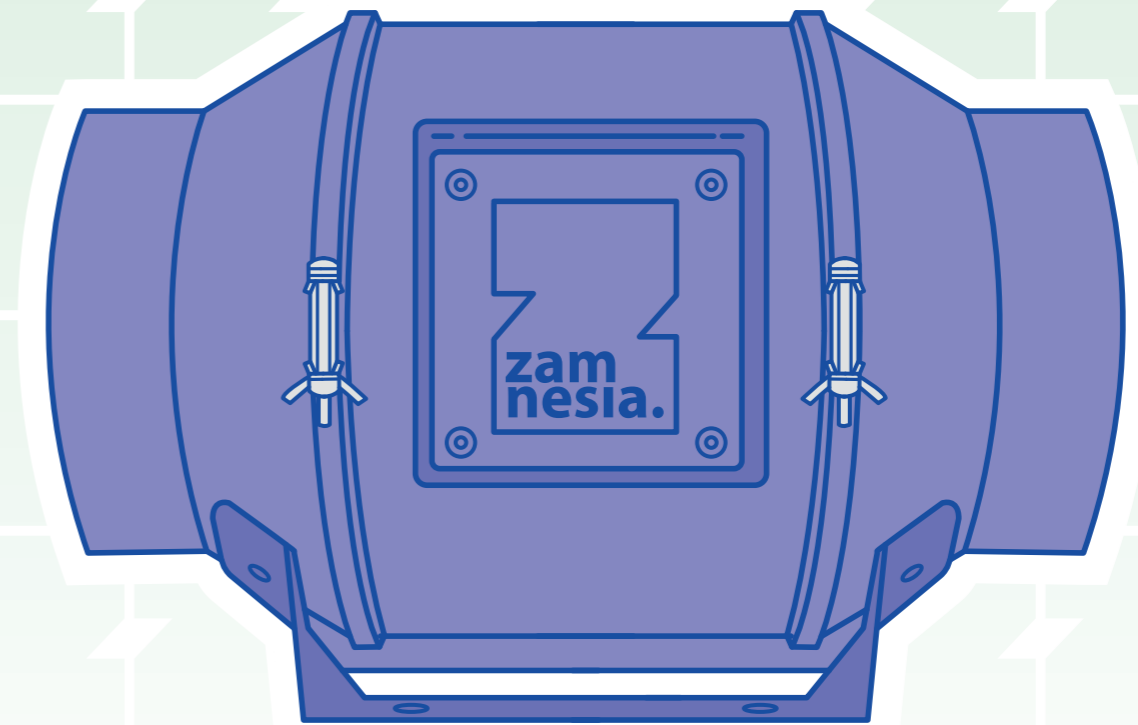


# INLINE DUCT FAN

User manual

**zam  
nesia.**

**Thank you for  
choosing our  
Inline Duct Fan**



Team Zamnesia



# Information

This fan is designed to deliver reliable airflow management within your grow space. Combining durable construction, strong performance, and smart control compatibility, it helps maintain a stable and efficient environment for your plants.

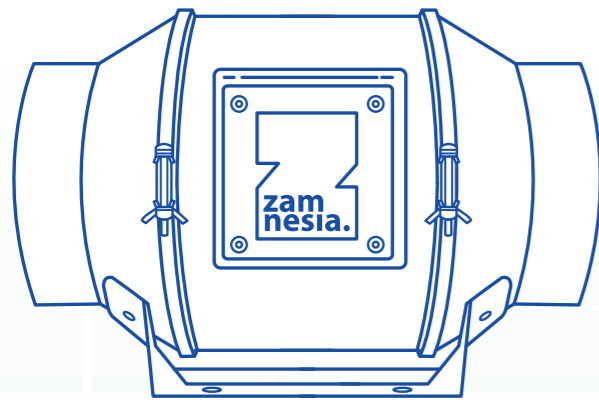
## What the Inline Duct Fan delivers:

- 1 Ensure fresh air exchange:** Maintain proper airflow to regulate temperature, humidity, and CO<sub>2</sub> levels.
- 2 Support climate control:** Pair the fan with controllers or sensors to automatically respond to environmental changes.
- 3 Promote plant health:** Prevent stagnant air, heat pockets, and mould growth through steady ventilation.
- 4 Enable flexible installation:** Easily mount or hang the fan in various tent or room configurations.
- 5 Trust reliable performance:** Built from durable materials and powered by a quiet, long-lasting motor.

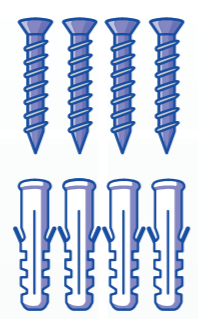
# Manual index

- 04** Information
- 06** What's in the box  
Model types
- 07** Component overview
- 08** Installation
  - 08** Mounting
  - 12** Rope ratchets
  - 13** Hanging straps
- 14** Motor housing panel orientation
- 15** Configuration setup
- 16** Powering and setup
- 18** Cleaning
- 20** Safety/warnings

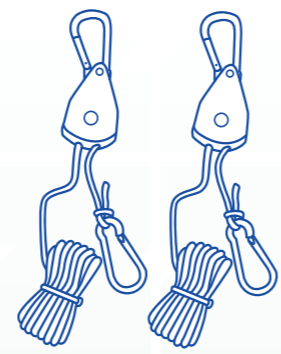
# What's in the box



1x Inline Duct Fan (with cable)



1x Screw set + Wall anchors



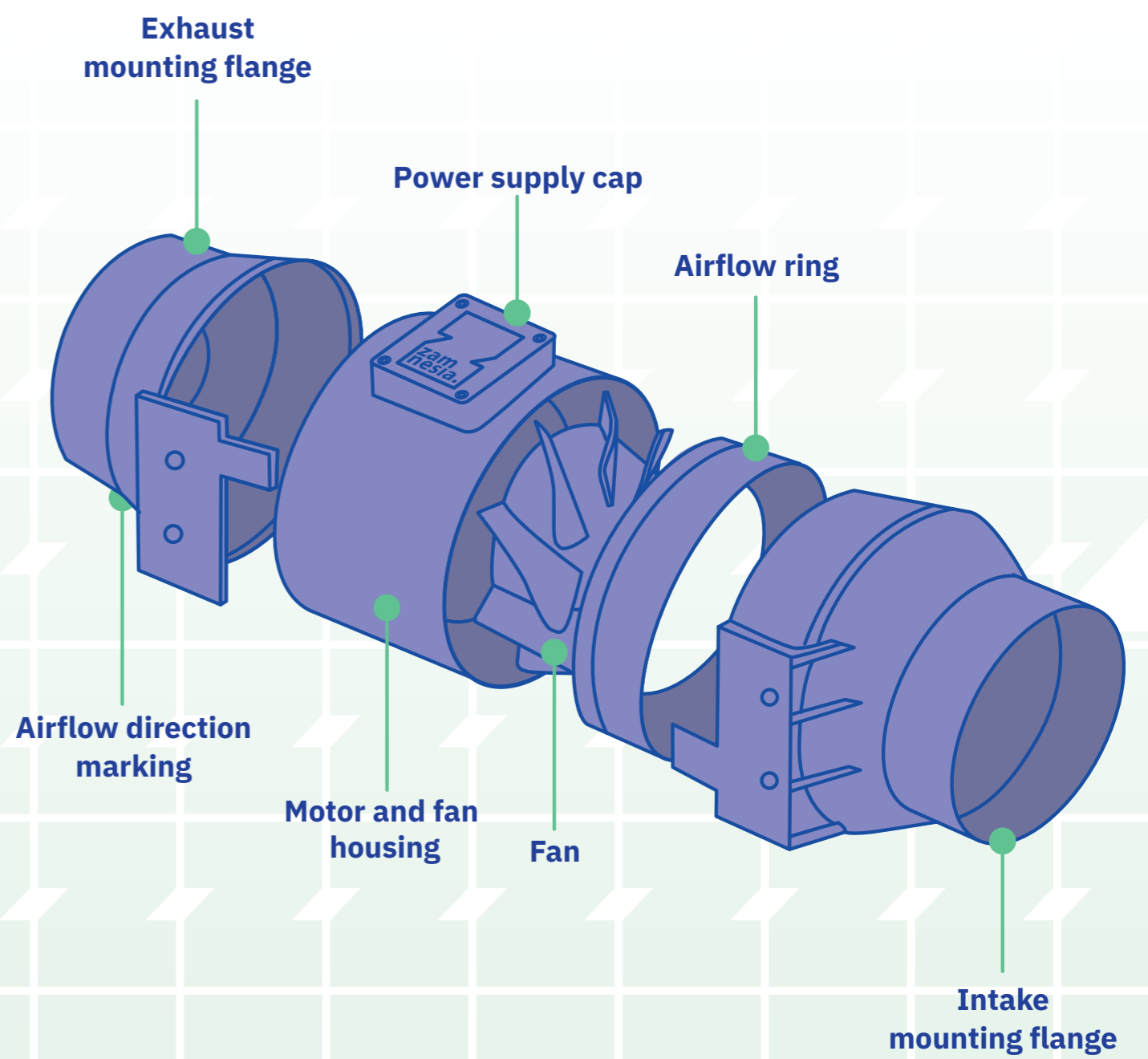
2x Rope ratchet

6

# Model types

Name	Model	Input voltage	Power	Speed	Air volume
Inline Duct Fan 100	FA100-M-I	AC100-240V 50/60Hz	30W	3000RPM/min	214CFM
Inline Duct Fan 150	FA150-M-I	AC100-240V 50/60Hz	60W	3000RPM/min	405CFM

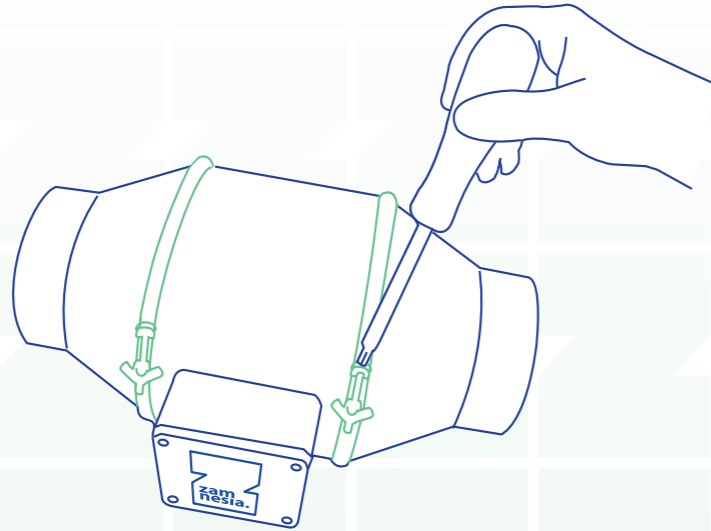
# Component overview



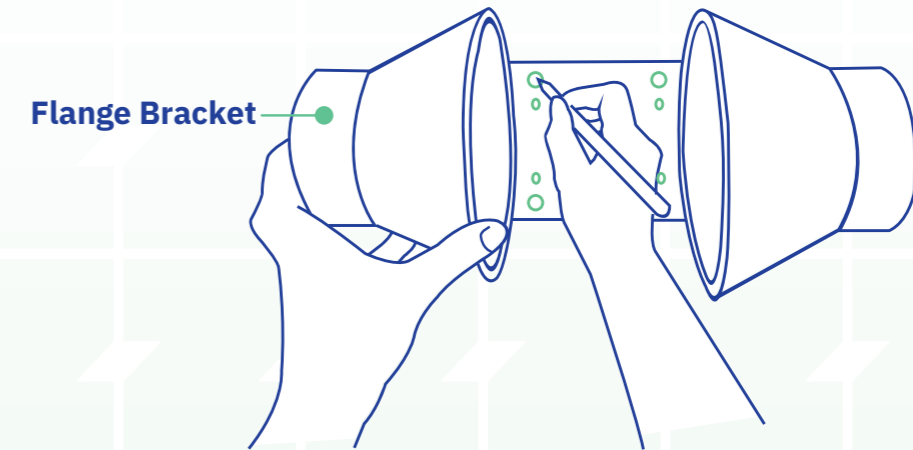
7

# Installation - Mounting

- 1 Loosen the mounting clamps**  
Use a cross-head screwdriver to unscrew the bolts on both sides of the Inline Duct Fan.



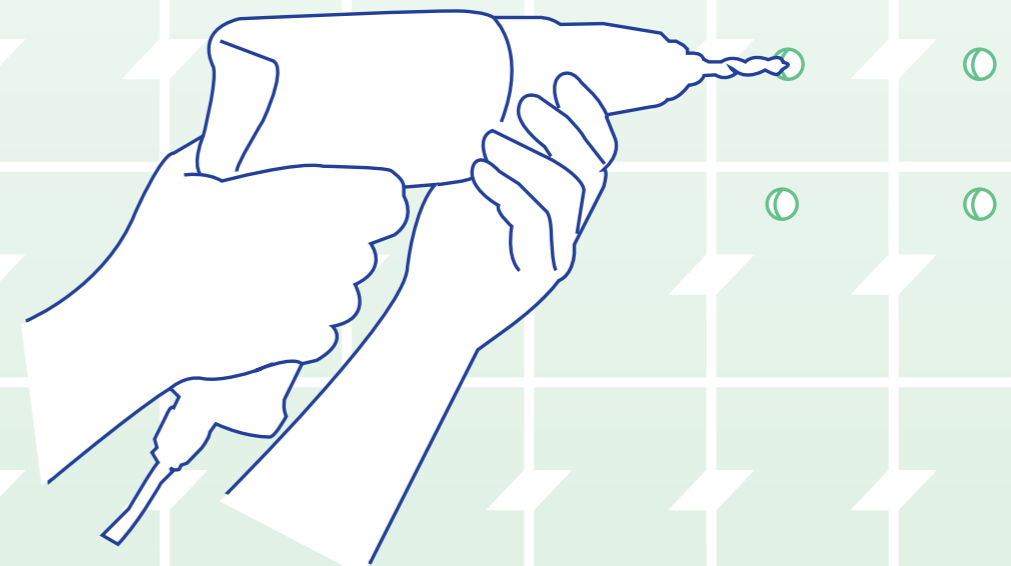
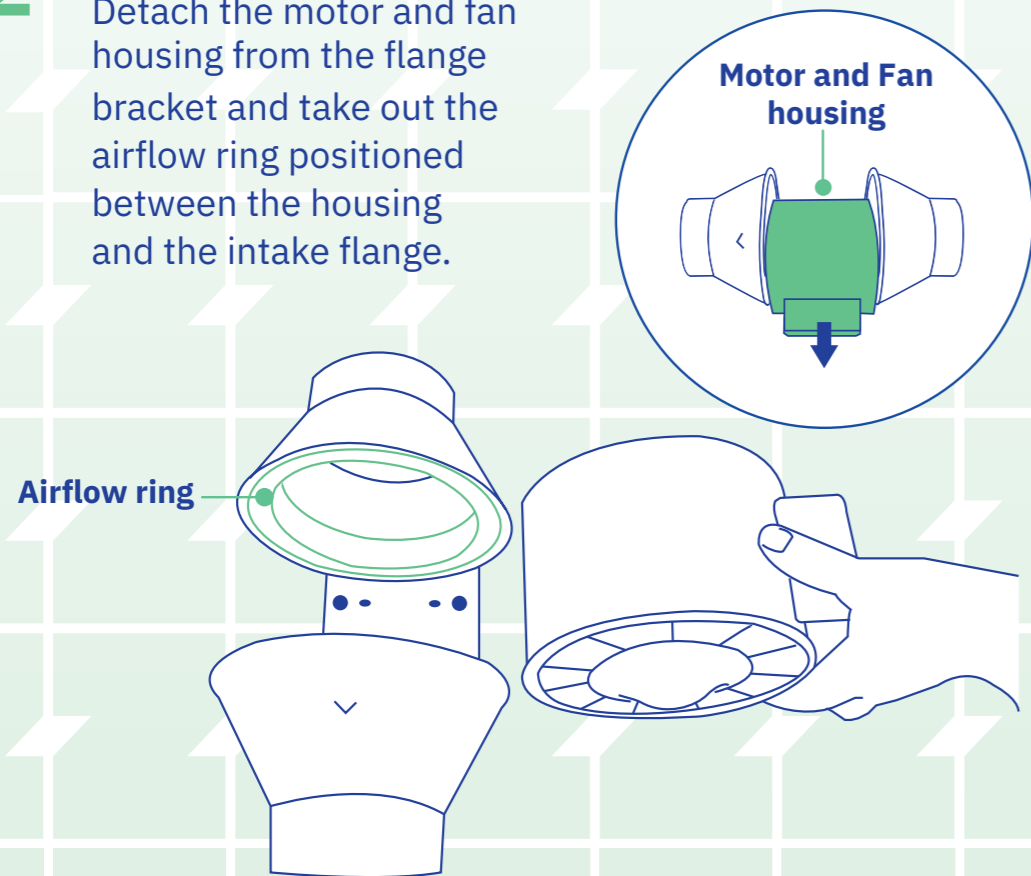
- 3 Set fan position**  
Position the flange bracket where you'd like to mount the fan. Mark the four mounting hole positions.



- 4 Drill the mounting holes**  
Drill holes at the marked locations.

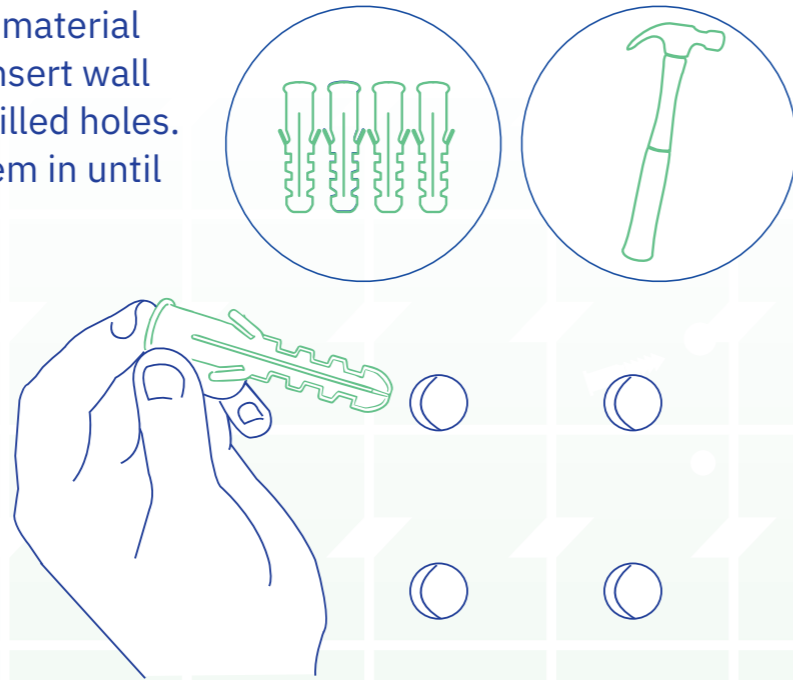
**!** Before drilling, check for hidden electrical cables, water pipes, or ventilation ducts behind the surface. Use a stud and cable detector if needed.

- 2 Remove the motor and fan housing**  
Detach the motor and fan housing from the flange bracket and take out the airflow ring positioned between the housing and the intake flange.



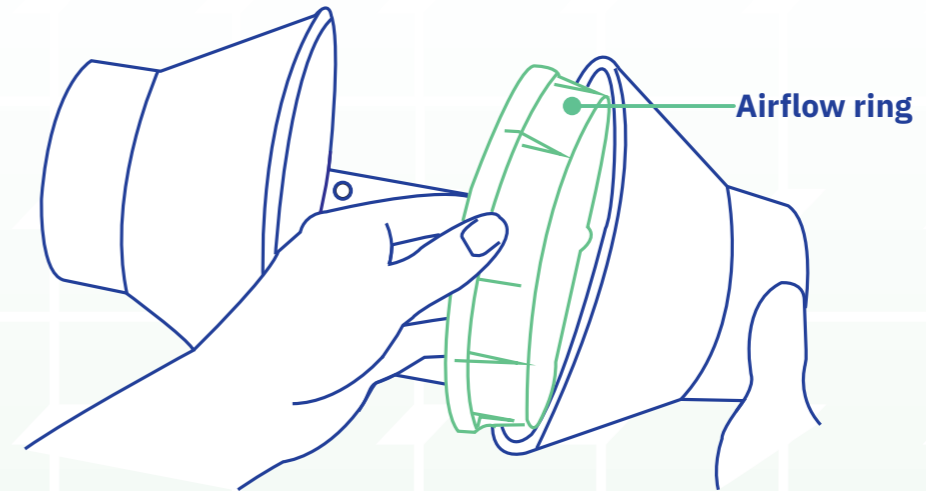
## 5 Insert wall anchors

If mounting onto a material other than wood, insert wall anchors into the drilled holes. Gently hammer them in until secure.



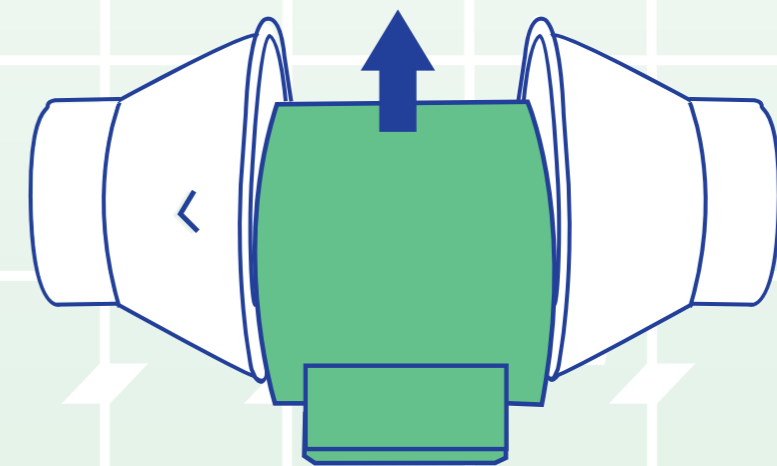
## 7 Reinstall the airflow ring

Place the airflow ring back into the intake flange.



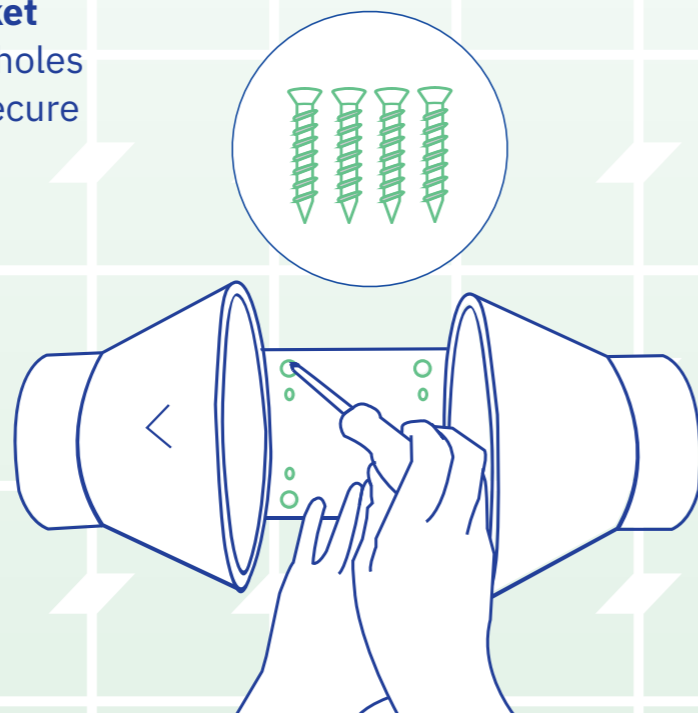
## 8 Reattach the motor and fan housing

Slide the motor and fan housing back into the flange bracket. Reinsert and tighten the bolts on both sides of the mounting clamps.



## 6 Secure the flange bracket

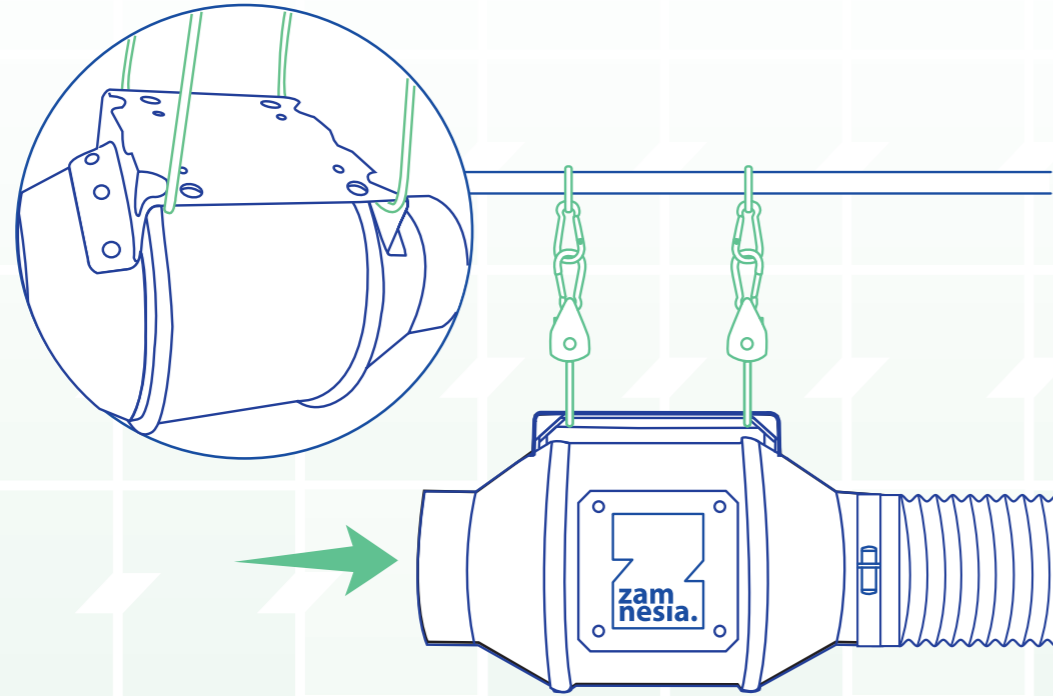
Align the flange bracket holes with the wall anchors. Secure with the four screws.



Make sure the airflow arrow points in the intended direction.

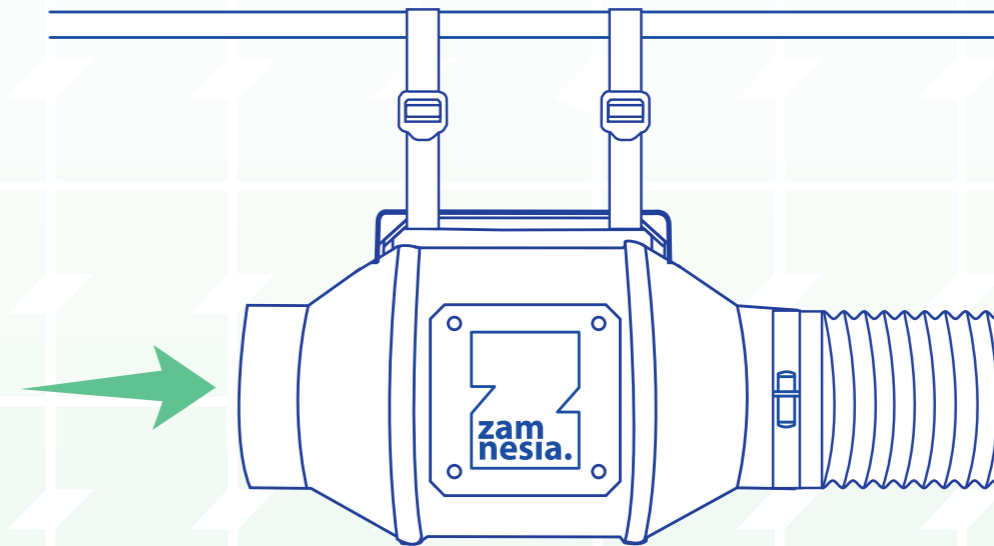
# Installation - Rope ratchets

**A Hanging Downward**  
Loop the two rope ratchets around the pole and the fan's bracket. Clip the carabiners onto each other. Shorten the loops as needed. Make sure the fan's airflow arrow is pointing in the desired direction.

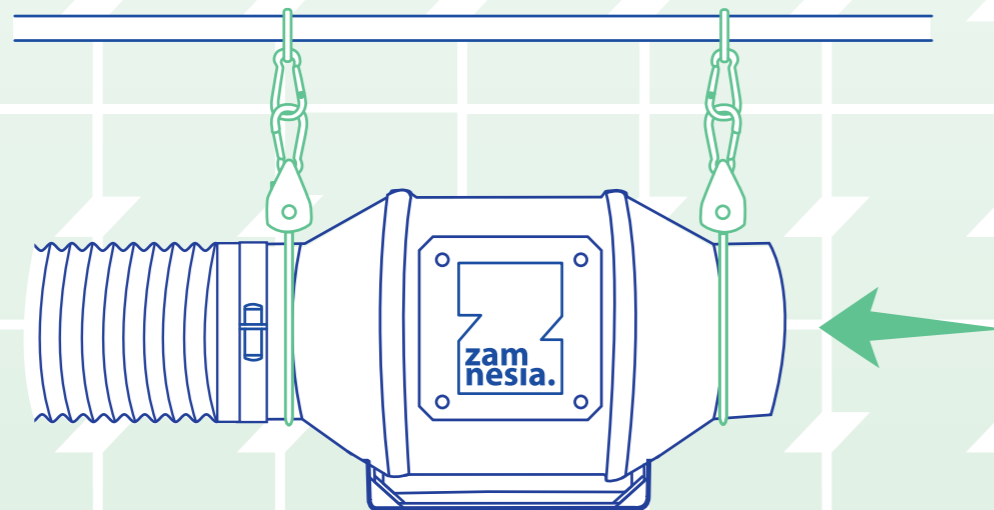


# Installation - Hanging straps\*

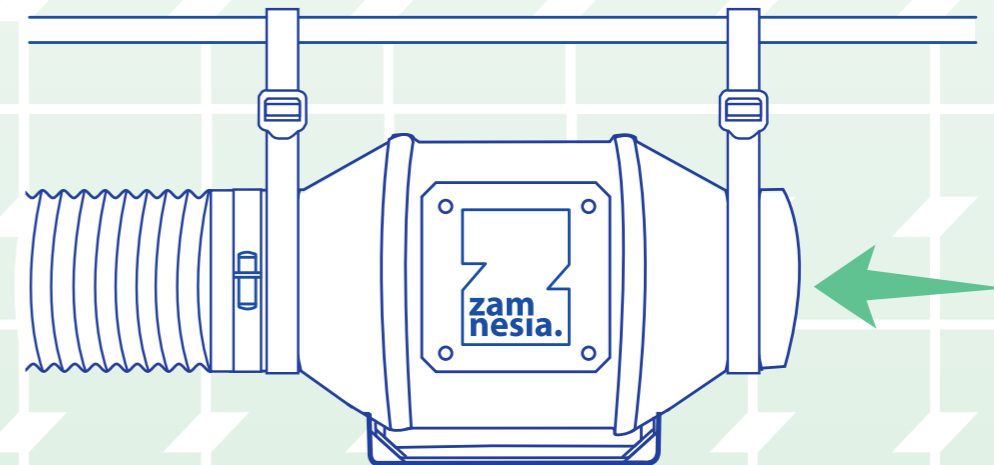
**A Hanging Downward**  
Once both straps are attached, let the fan hang freely. Confirm that the airflow arrow points in the correct direction.



**B Hanging Upward**  
Loop each rope ratchet around the duct flanges. Tighten until the fan is securely suspended.

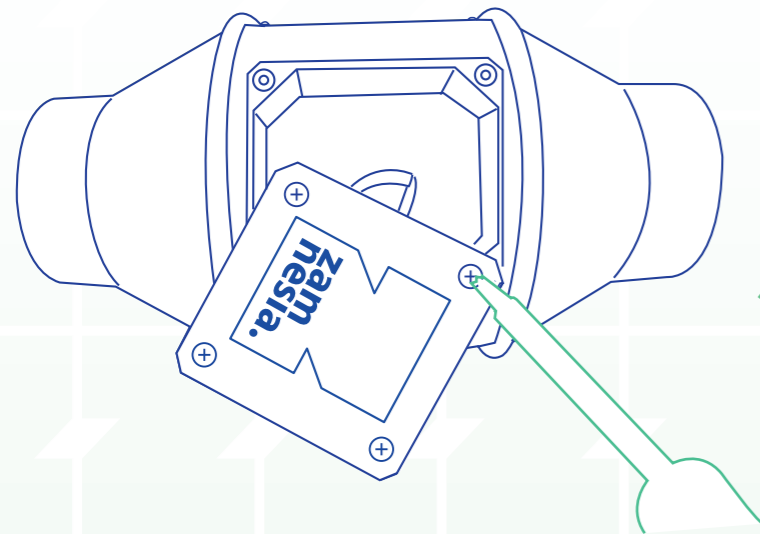


**B Hanging Upward**  
Loop and tighten the straps around the pole as shown in previous steps. Hang the fan from the duct flanges and secure it firmly.

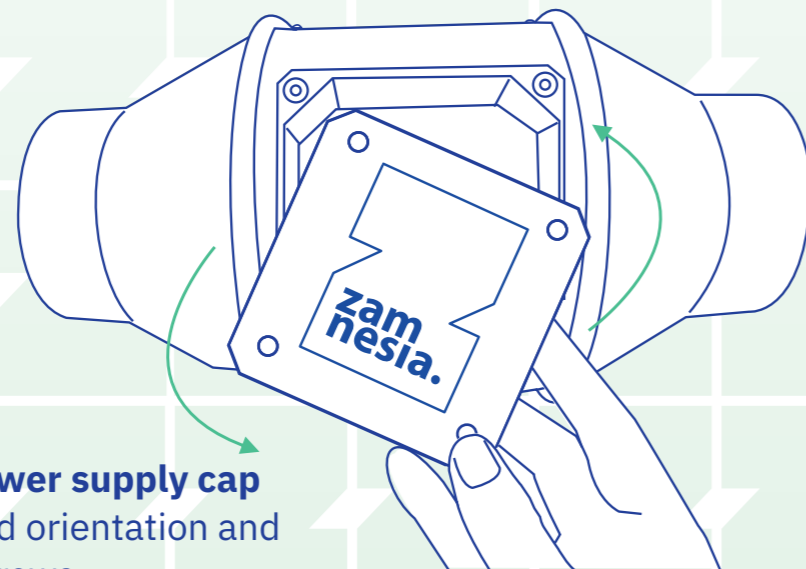


\*Included in Grow Tent kit

# Power supply cap orientation



**1** **Unscrew the cap**  
Use a cross-head screwdriver.



**2** **Rotate the power supply cap**  
To your desired orientation and reapply the screws.

# Configuration Setup

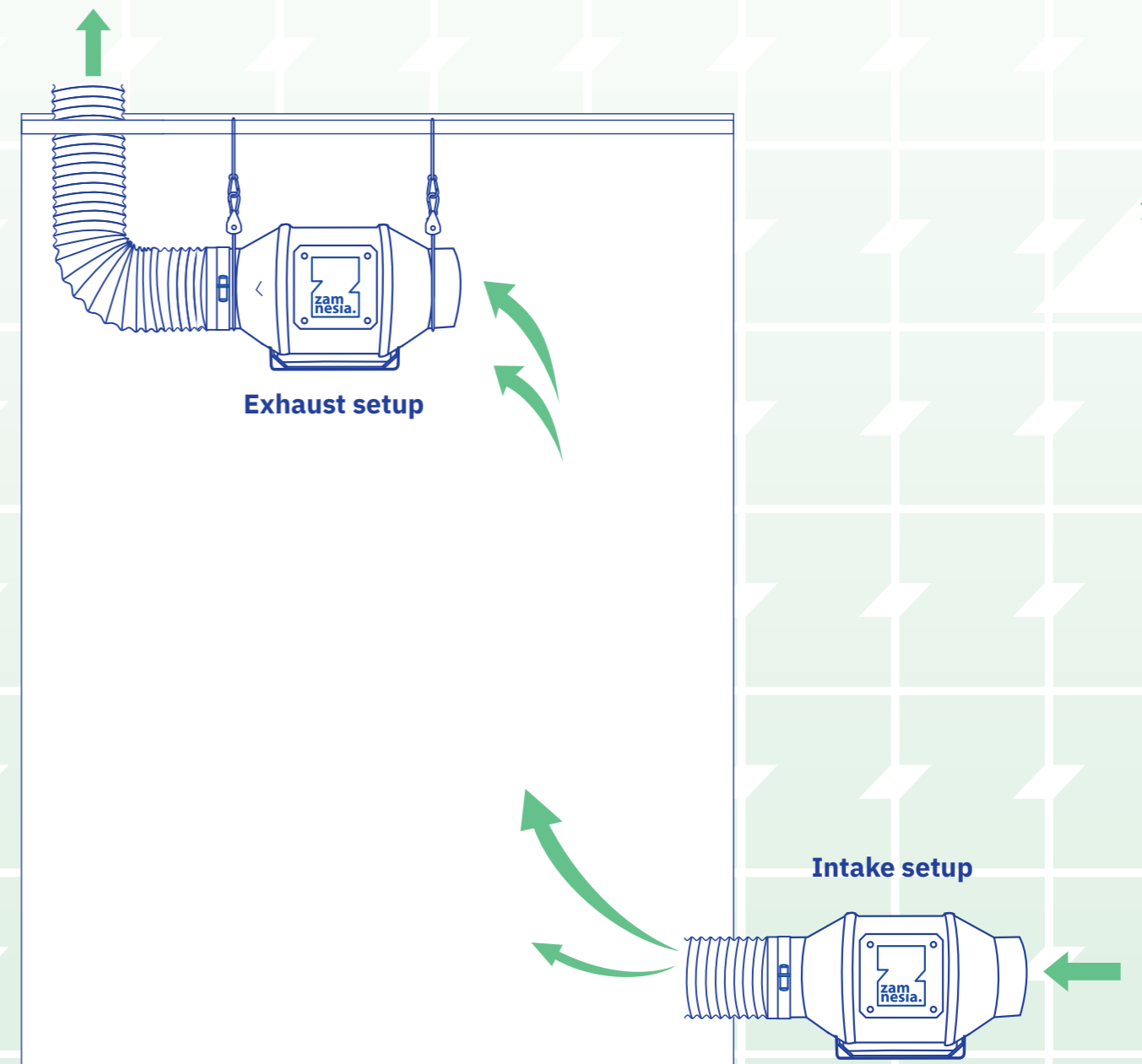
The Zamnesia Inline Duct Fan can be configured as either an **intake or exhaust fan**:

## Intake setup:

Place the fan outside the grow tent, ideally near the bottom corner. Ensure the airflow arrow points into your grow space.

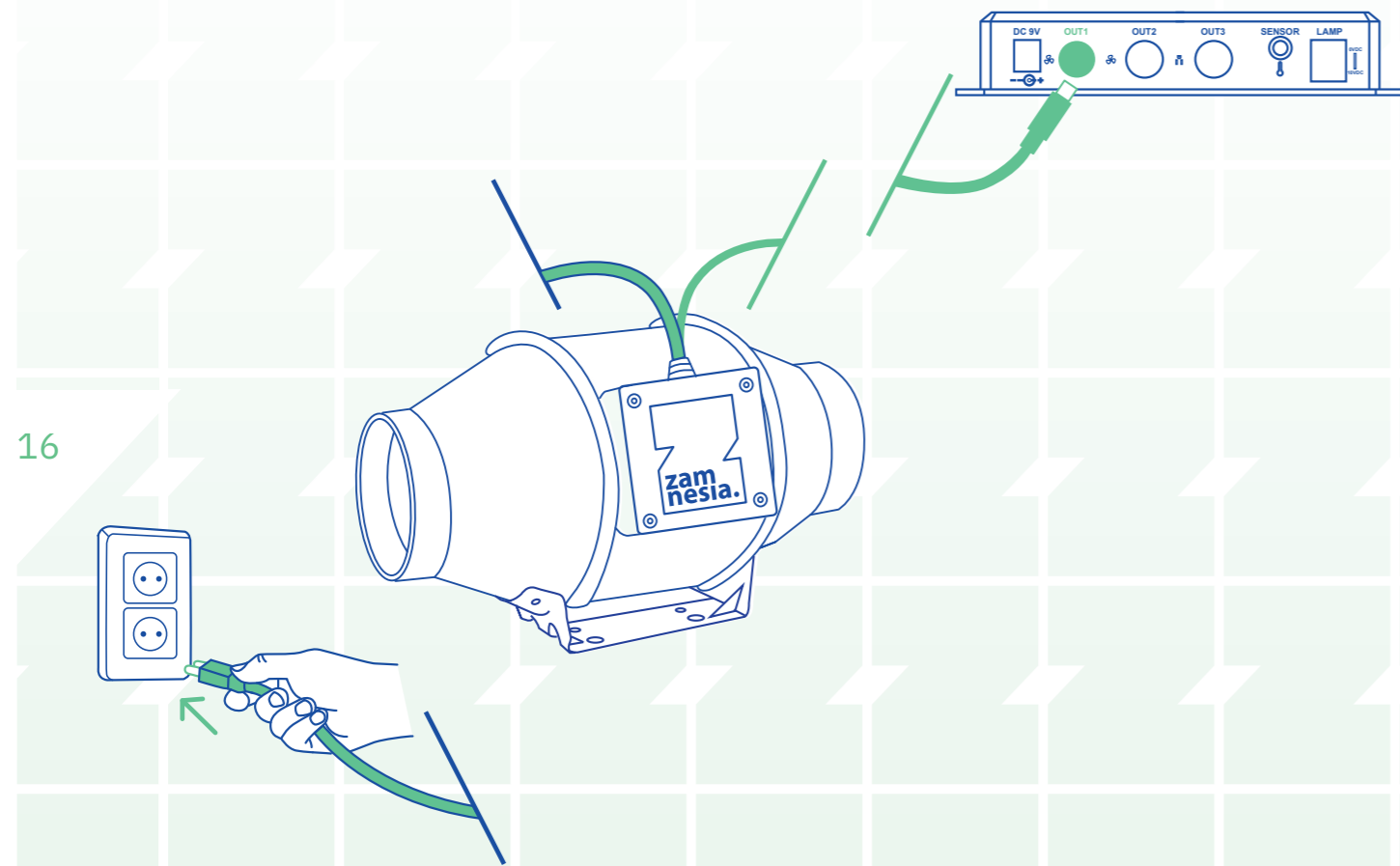
## Exhaust setup:

Mount or hang the fan inside the tent near the top opposite corner. The airflow arrow should point outward, away from the grow area.



# Powering and setup

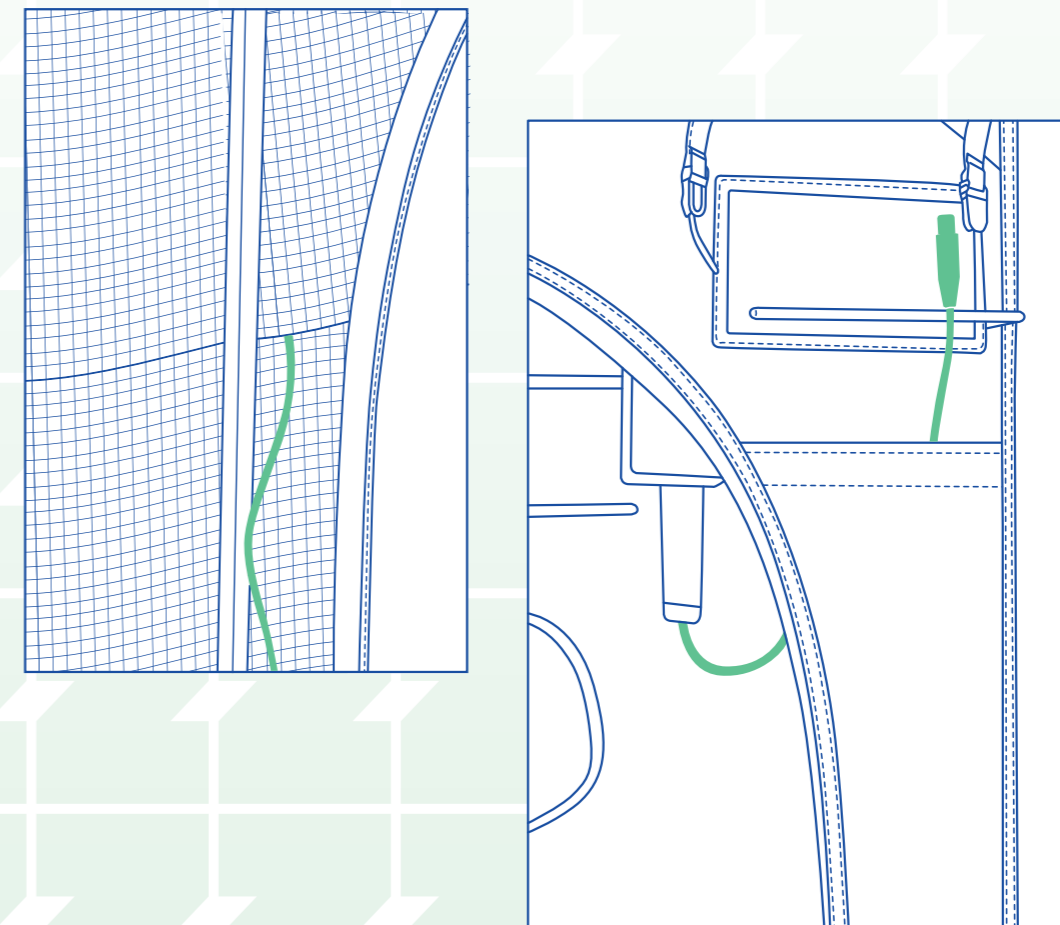
- 1 Connect to Controller**  
Use the extension cord to connect the Inline Duct Fan to the controller's fan port. (OUT1 when using a Zamnesia Controller)



- 2 Power the Fan**  
Plug the fan's power cord into a wall outlet or power strip.

- 3 Connecting cable to controller\***  
Slide the cable from the Inline Duct Fan through the tent's cable opening located beneath the controller.

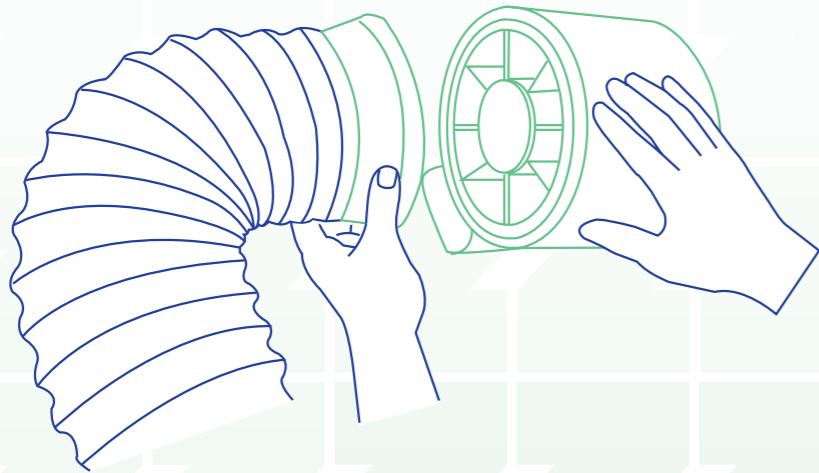
This opening links the inside of the tent to the controller area on the outside, allowing you to easily feed the cable through and connect it to the controller. The controller will draw power directly from the fan.



*\*This page applies to Zamnesia grow tents only.*

# Cleaning

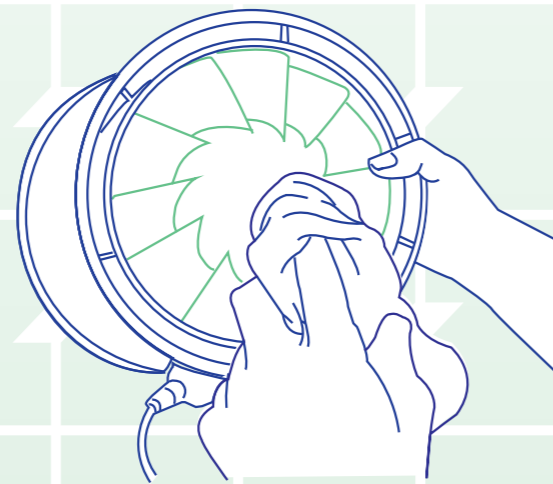
- 1 Disassemble**  
Remove the motor and fan housing from the flange bracket and take out the airflow ring between the housing and the intake flange.



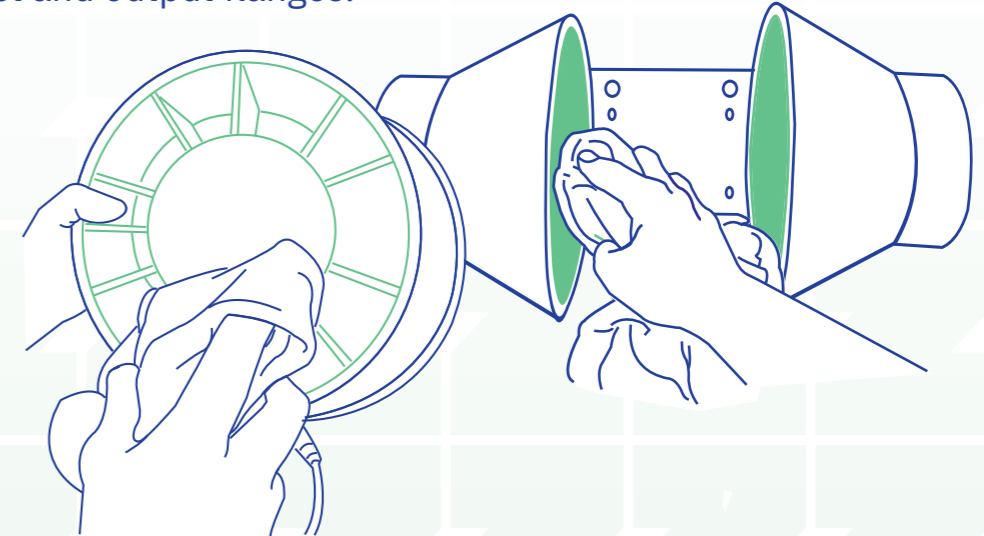
18

- 2 Clean the Fan**  
Use a damp cloth to remove dust and debris from the fan blades.

! *Never spray or submerge the fan in water.*

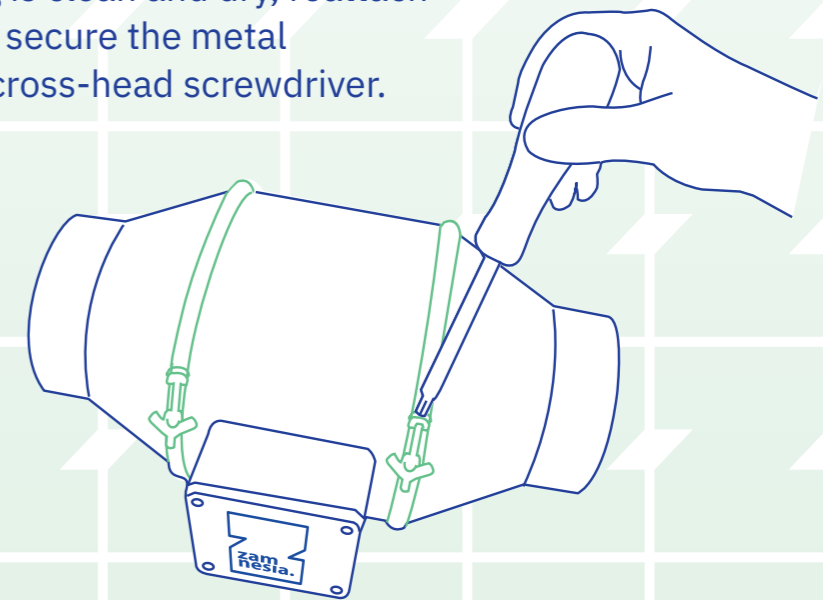


- 3 Clean the fixed blades**  
Wipe away dust from the fixed blades and clean the inside of the exhaust and output flanges.



19

- 4 Reassemble**  
Once everything is clean and dry, reattach the housing and secure the metal clamps using a cross-head screwdriver.



# Safety/warnings

- Read all instructions carefully before installation or operation.
- Incorrect installation, use, or maintenance may result in damage, electric shock, personal injury, or fire.
- Electrical connections must be carried out by a qualified person in accordance with applicable local electrical codes and EN/IEC regulations.
- This product is intended for indoor air ventilation use only, in ducting systems or enclosed environments.
- Do not use outdoors or in environments containing explosive, flammable, or corrosive substances.
- Do not operate the fan in wet conditions or expose it to water unless explicitly specified by the product rating.
- Always disconnect the product from the power supply before installation, inspection, cleaning, or maintenance.
- Ensure that air inlets and outlets are not obstructed during operation.
- Do not modify the product or use accessories not specified by the manufacturer.
- Keep the product out of reach of children and persons requiring supervision.
- Dispose of this product in accordance with local waste and WEEE regulations. Do not dispose of with household waste.



Lorentzweg 7  
5482 TP Schijndel  
the Netherlands  
[www.zamnesia.com](http://www.zamnesia.com)