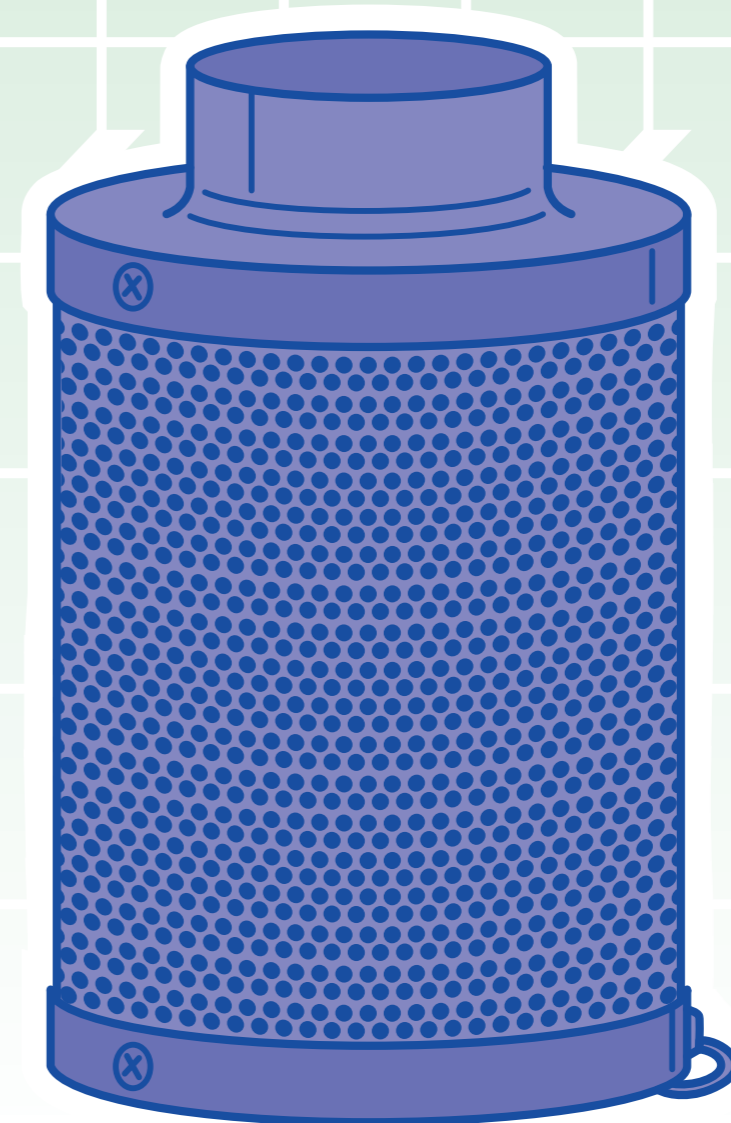


# CARBON FILTER AIR PURIFIER

User manual

**zam  
nesia.**

**Thank you for  
choosing our  
Carbon Filter  
Air Purifier**



Team Zamnesia

# Information

This high-performance filter is designed to remove unwanted odors, spores, pollen, and fine airborne particles from enclosed grow environments. Built with premium activated carbon, it ensures clean, fresh airflow and helps maintain a healthy, discreet grow space.

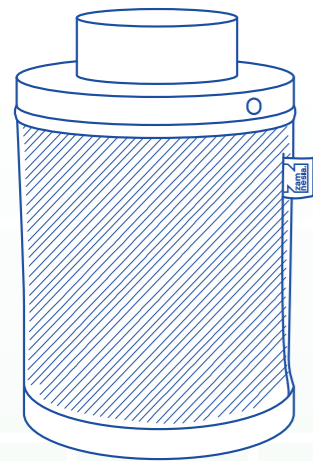
## What the Carbon Filter delivers:

- 1 Eliminate Unwanted Odors:** Trap and neutralize smells to keep your growing area fresh and discreet.
- 2 Filter Airborne Impurities:** Capture dust, spores, and pollen for cleaner, healthier air circulation.
- 3 Improve Air Quality:** Maintain a stable environment that supports strong plant growth and efficient climate control.
- 4 Pair for Best Results:** Use together with our Inline Duct Fan of matching size and airflow capacity for optimal performance.
- 5 Count on Long-Lasting Quality:** Made from durable materials with long-life carbon for reliable filtration and easy integration into any ventilation system.

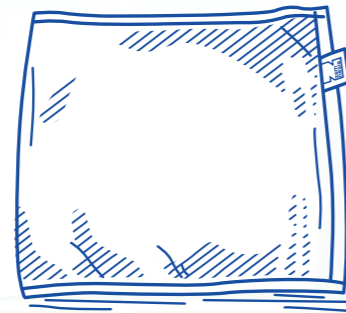
# Manual index

- 04** Information
- 06** - What's in the box  
- Model types
- 07** Installation
- 09** Configuration setup
- 11** Maintenance
- 12** Safety/warnings

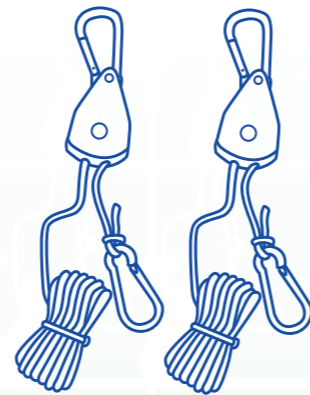
# What's in the box



1x Carbon filter  
(1x Pre-filter Sleeve  
Pre-installed)



1x Pre-filter  
sleeve

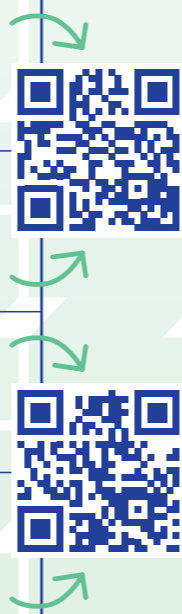


2x Rope  
ratchets

6

# Model types

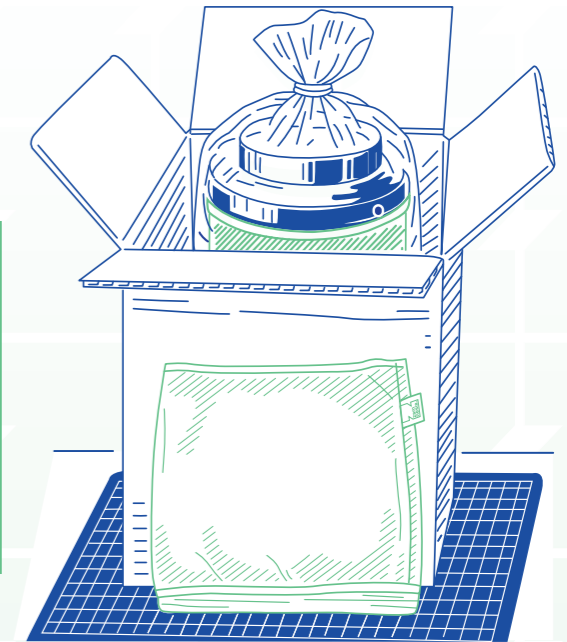
Name	Model	Dimension (Ø x H)	Airflow Rate	Recommended Fan Size
Carbon Filter 100/250	FIL-D100H250	Ø100 x 250 mm	280 m <sup>3</sup> /h	Inline Duct Fan 100 (4")
Carbon Filter 100/300	FIL-D100H300	Ø100 x 300 mm	300 m <sup>3</sup> /h	Inline Duct Fan 100 (4")
Carbon Filter 150/300	FIL-D150H300	Ø150 x 300 mm	520 m <sup>3</sup> /h	Inline Duct Fan 150 (6")
Carbon Filter 150/350	FIL-D150H350	Ø150 x 350 mm	600 m <sup>3</sup> /h	Inline Duct Fan 150 (6")



# Installation

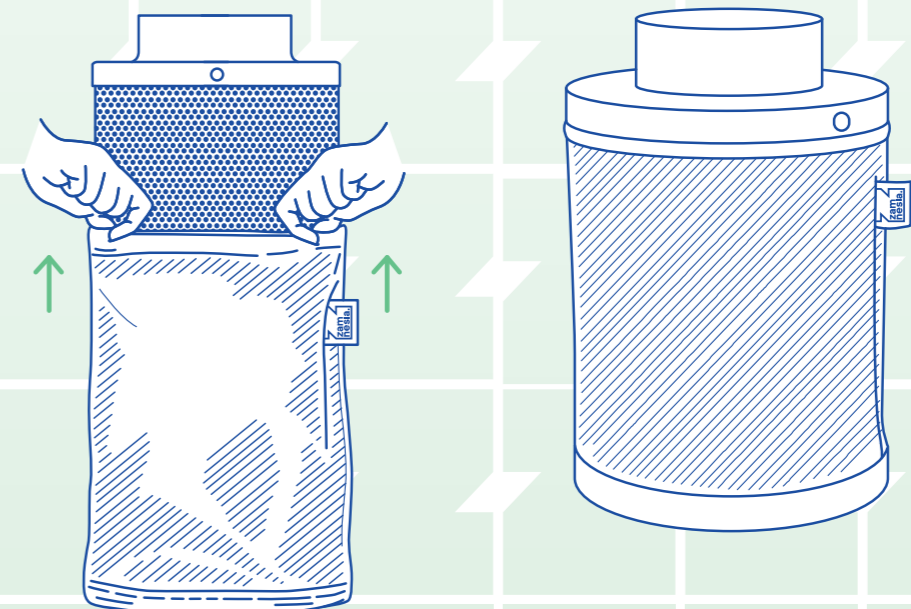
- Unpack and pre-clean**  
Take the Carbon Filter out of the box. The Carbon Filter comes with one pre-installed pre-filter sleeve and one extra sleeve for replacement.

! Fine carbon particles can shift during transport. Wipe the exterior with a damp cloth. Blow out the filter outdoors by running your fan so it pushes air into the filter and out to the open air (not inside your grow space).



7

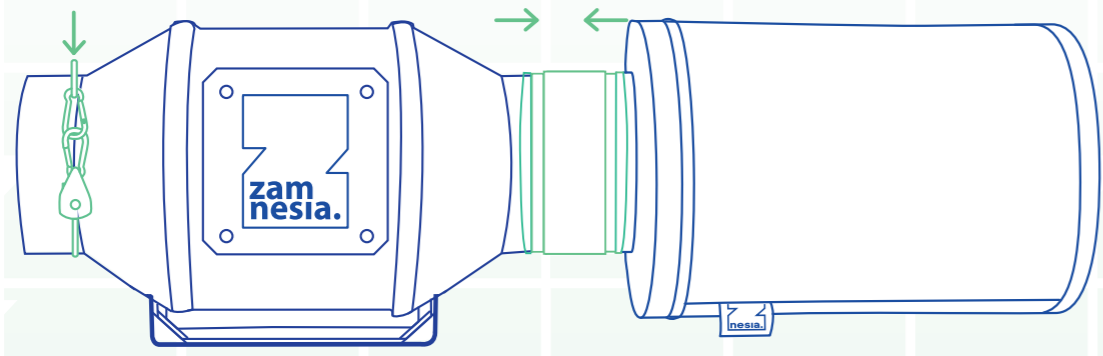
- Pre-Filter Sleeve Replacement (When Needed)**  
Remove the used pre-filter sleeve from the Carbon Filter. Slide the sleeve over the Carbon Filter and make sure it covers the area properly. The sleeve catches dust and debris so the carbon lasts longer.



# Configuration setup

## 3 Plan the layout

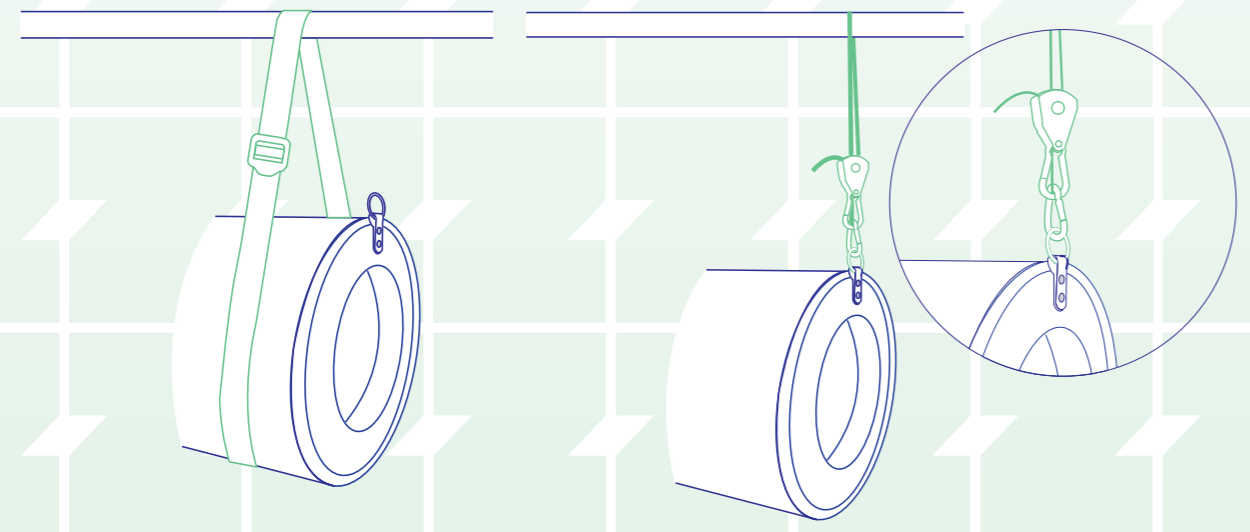
Minimize the distance between the Carbon Filter and the Inline Duct Fan. Keep ducting as straight as possible, avoiding unnecessary bends. The filter and fan may be connected using ventilation ducting or the silicone connector (included in the Zamnesia Grow Tent Kit) to ensure proper sealing and performance. Ensure the mounting point can support the combined weight of the filter and fan.



8

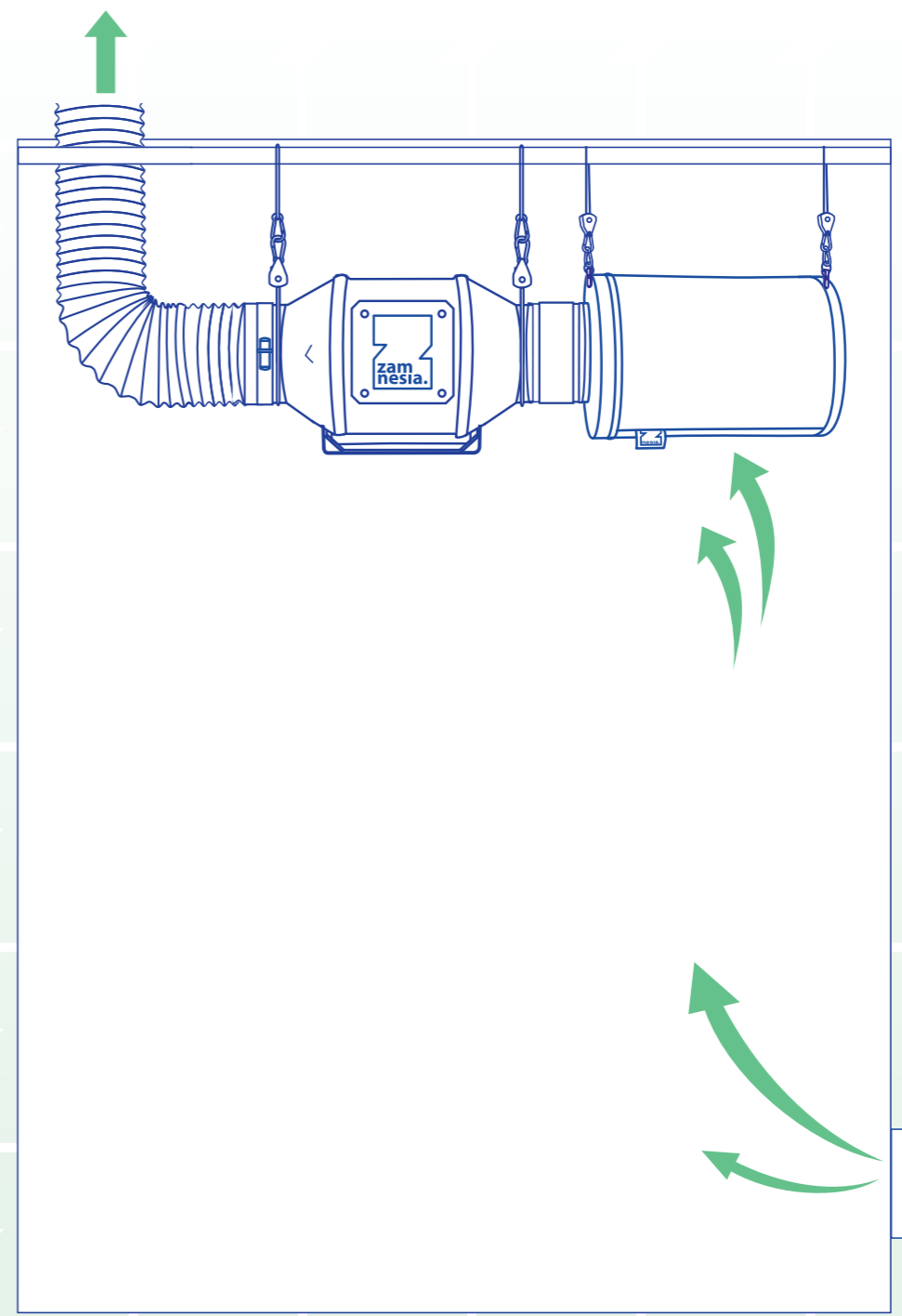
## 4 Mount Carbon Filter

Mount the Carbon Filter securely (brackets/straps as appropriate). Use proper clamps to make airtight connections for ducting.



## 5 Test the system

### Interior hanging setup:

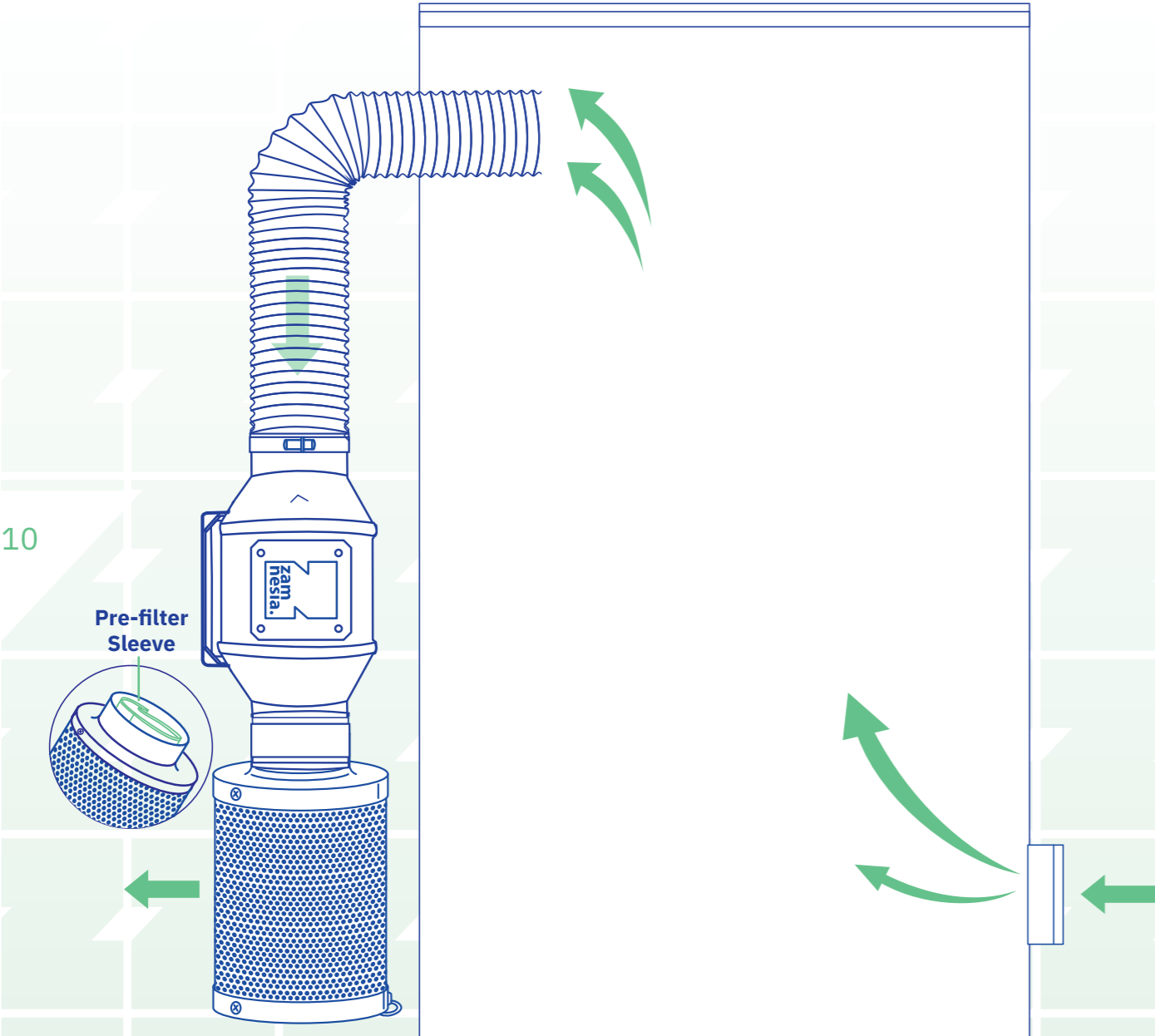


9

Example

# Maintenance

## Exterior mounting setup:



10

Pre-filter Sleeve

Example

! When air is blown outward from the carbon filter, remove the external pre-filter sleeve. The sleeve can be rolled up and stored inside the filter to help extend its service life.

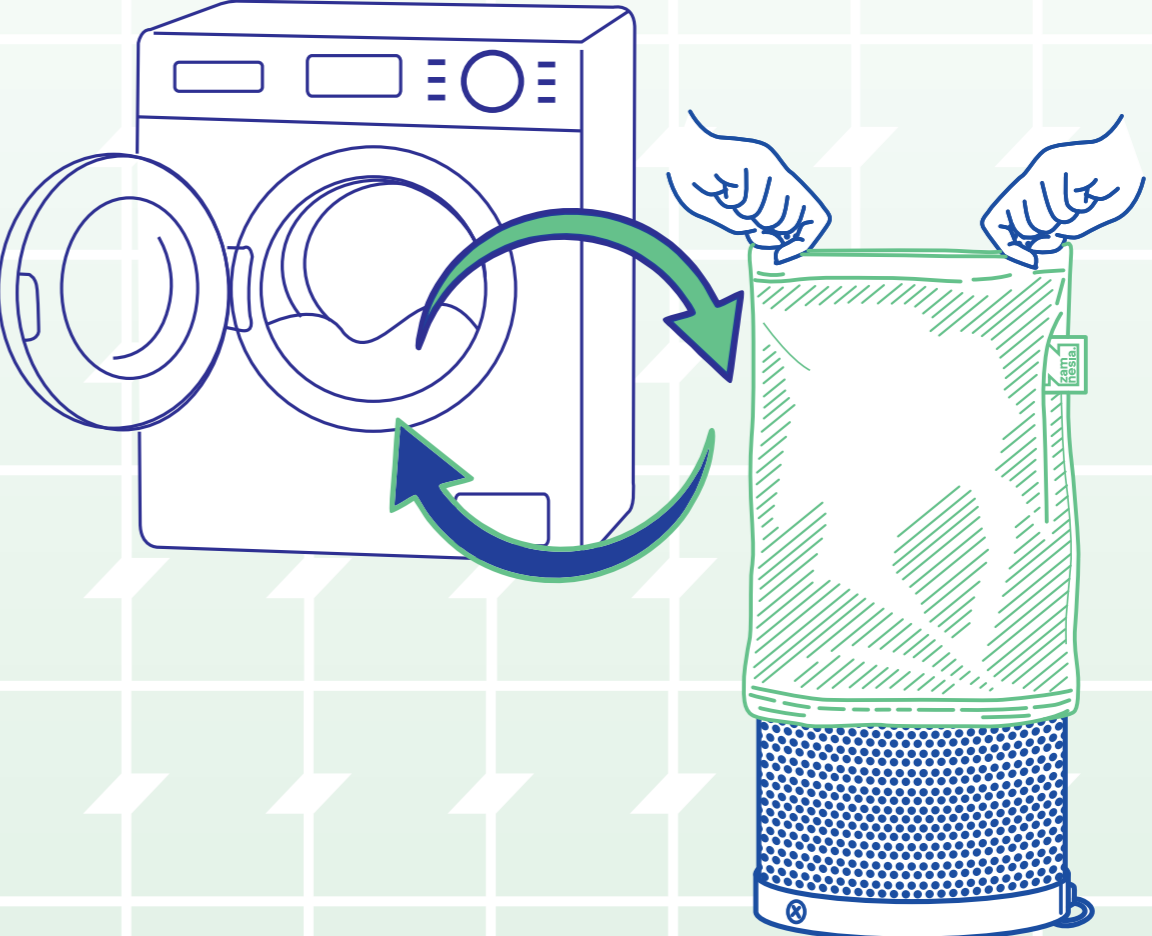
## Washing the Pre-filter Sleeve

Wash the sleeve in a washing machine using the hand-wash or delicate cycle with cool or lukewarm water. This helps remove dust and buildup.

- Do not tumble dry. Air dry only.

How often you wash your Pre-filter sleeve depends on the environment inside your grow space:

- **Light/clean environments:** every 2–3 months
- **Moderate use (typical grow tent):** every 4–6 weeks
- **Dusty or high-traffic environments:** every 2–4 weeks



11

# Safety/warnings

- Read all instructions carefully before installation or operation.
- Incorrect installation or use may result in reduced performance or damage to connected equipment.
- This product is intended for indoor air filtration use only, in ducting systems or enclosed environments.
- Do not use outdoors or in environments containing explosive, flammable, or corrosive substances.
- Ensure the carbon filter is securely mounted and properly supported during use.
- Do not operate the filter with incompatible fans or ventilation systems.
- Always disconnect connected electrical equipment before installation, inspection, or maintenance.
- Replace or clean filter components as recommended to maintain proper airflow.
- Keep the product out of reach of children and persons requiring supervision.
- Dispose of this product in accordance with local waste and WEEE regulations. Do not dispose of with household waste.



Lorentzweg 7  
5482 TP Schijndel  
the Netherlands  
[www.zamnesia.com](http://www.zamnesia.com)