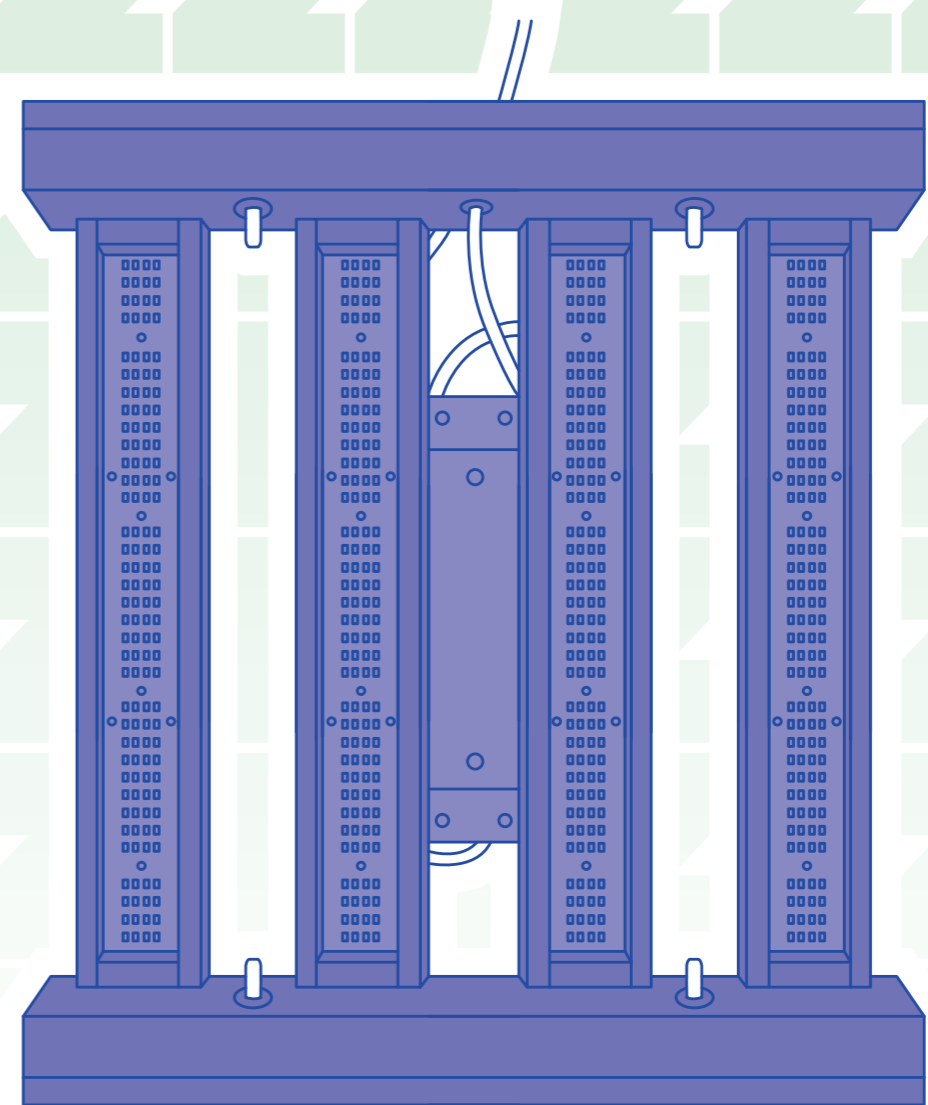


LED PHYTONAUT SERIES

User manual

**zam
nesia.**

**Thank you for
purchasing our
LED Grow Light!**



Team Zamnesia

Information

This LED Grow Light is engineered to deliver real performance where it matters most, across the entire plant canopy.

Rather than chasing inflated peak intensity numbers at a single point, the fixture is designed to provide even, well balanced light distribution across the full grow area. This results in more uniform plant development, healthier canopies, and more efficient use of energy in real world growing conditions.

All published specifications represent minimum guaranteed performance values. Independent laboratory testing confirms that the light consistently exceeds these figures during normal operation, giving you reliable output with built in performance headroom.

The full spectrum output is carefully tuned to support plants from early vegetative growth through flowering, encouraging strong structure, healthy photosynthesis, and consistent flower development. Combined with a wide beam angle, precisely spaced LED bars, and an engineered passive thermal design for stable, long term performance, the light delivers consistent output, reduced hotspots, and dependable operation over time.

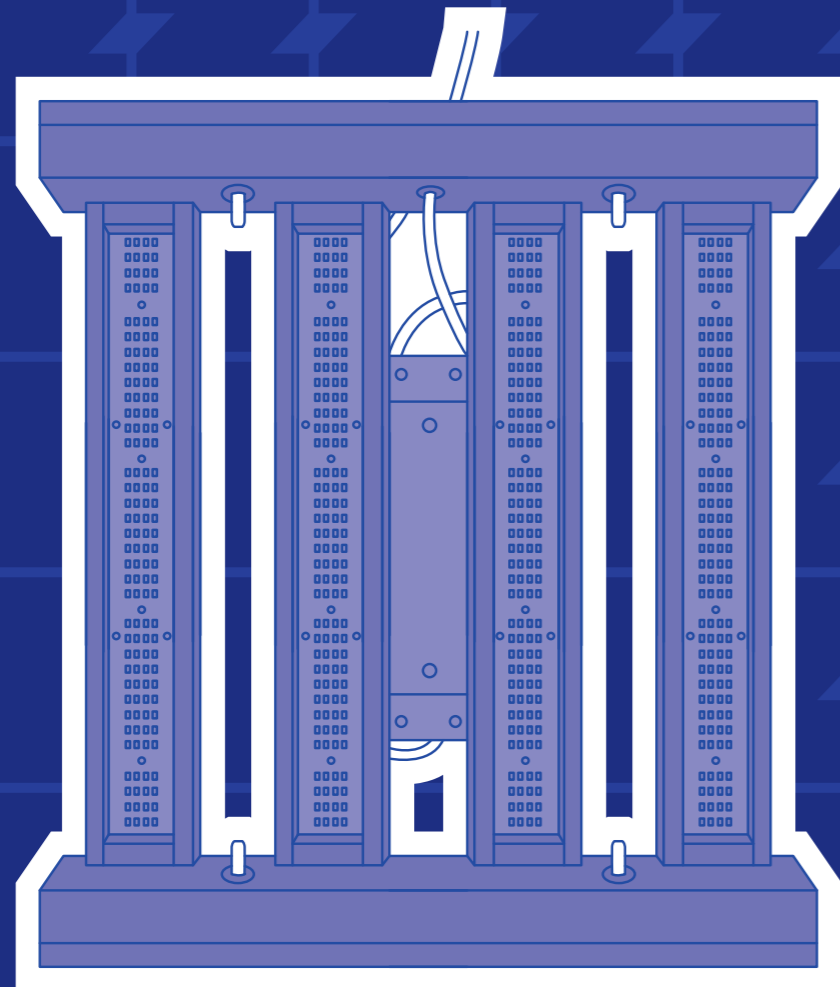
By choosing this Grow Light, you have invested in intelligent design, honest specifications, and proven performance. A lighting system built for growers who value results, consistency, and quality over exaggerated claims.

Manual index

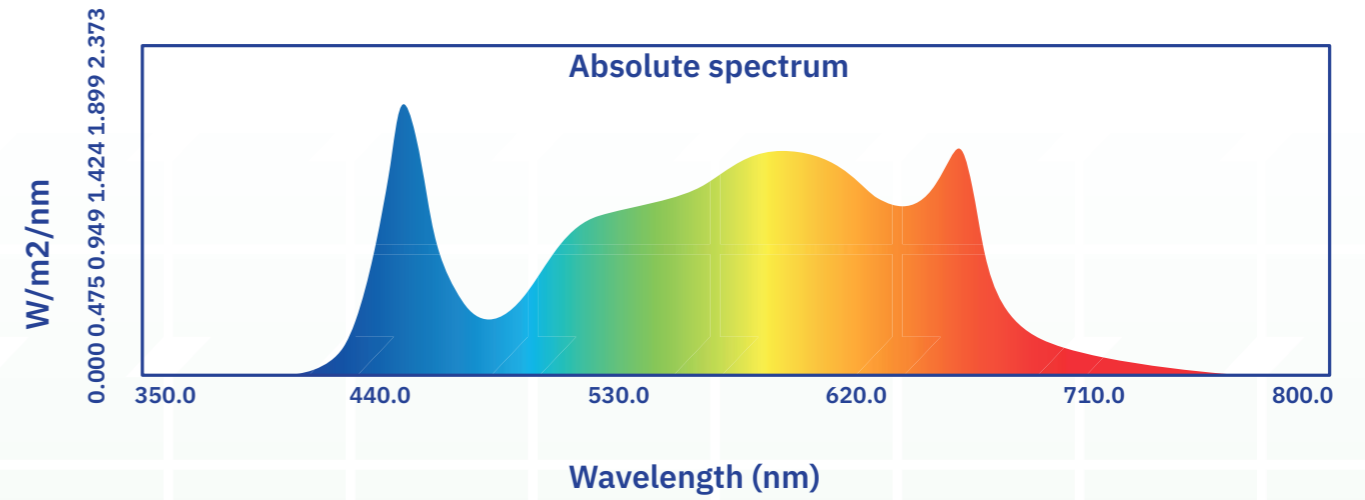
04	Information
06	GL-Phytonaut-120 LED Grow Light
08	GL-Phytonaut-240 LED Grow Light
10	GL-Phytonaut-320 LED Grow Light
12	GL-Phytonaut-480 LED Grow Light
14	What's in the box
15	Driver mounting: installation
18	Installation steps
20	Connecting up to 100pcs
22	Environment
23	Installation requirements and precautions
24	Safety/warnings

120W LED

GL-Phytonaut-120
LED Grow Light



Spectrum

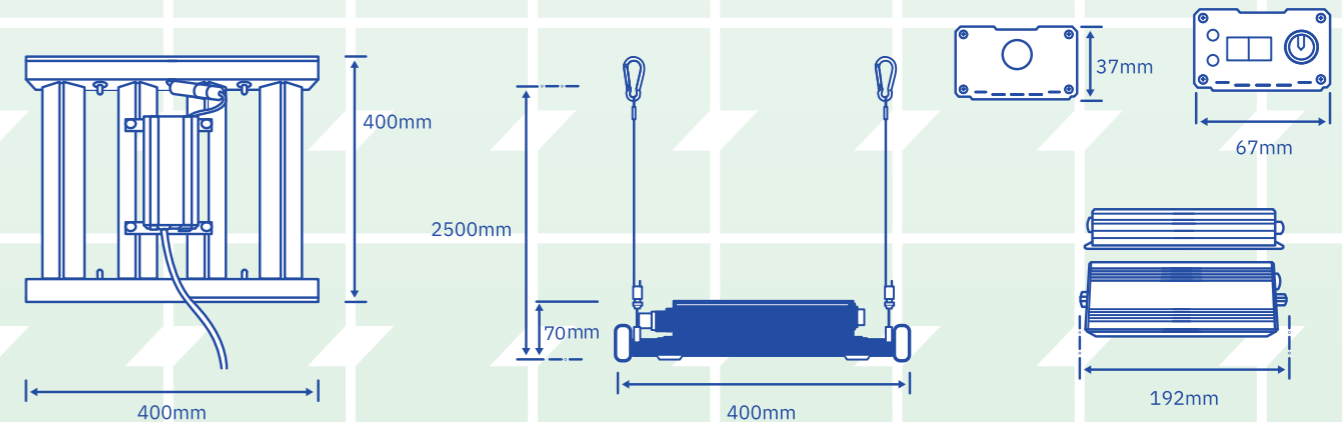


Specifications

Spectrum Full Spectrum
LED Sanan+Osram
PPF 330.69 μ mol/s*
Efficacy 2.74 μ mol/J*
Input Voltage 100-277V
Input Current 0.43-1.2A
Frequency 50/60Hz
Power Draw 120W
Light Dimensions
400 x 400 x 70mm

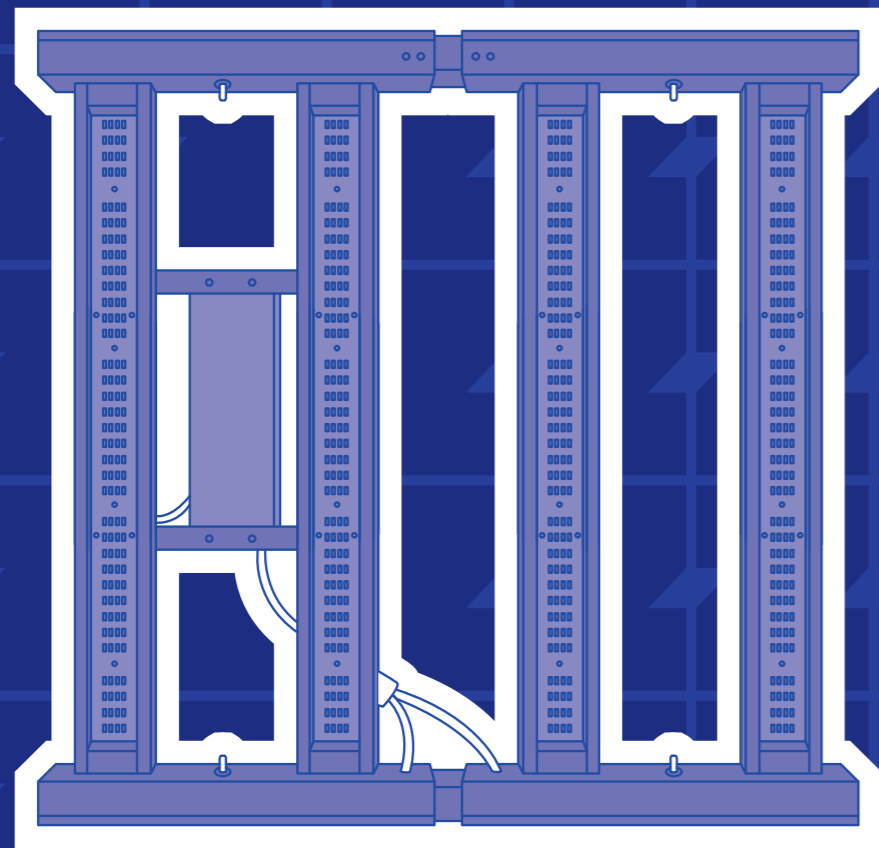
Net Weight 2.6 kg*
Operating temperature 0-40°C
Mounting Height \geq 30.48cm
Thermal Management Passive
Dimming Option
OFF/25%/50%/75%/100%
Light Distribution 120°
Lifespan \geq 54,000 hrs
Power Factor \geq 0.95
Waterproof Rate IP65

*Values may vary due to manufacturing tolerances and test conditions.

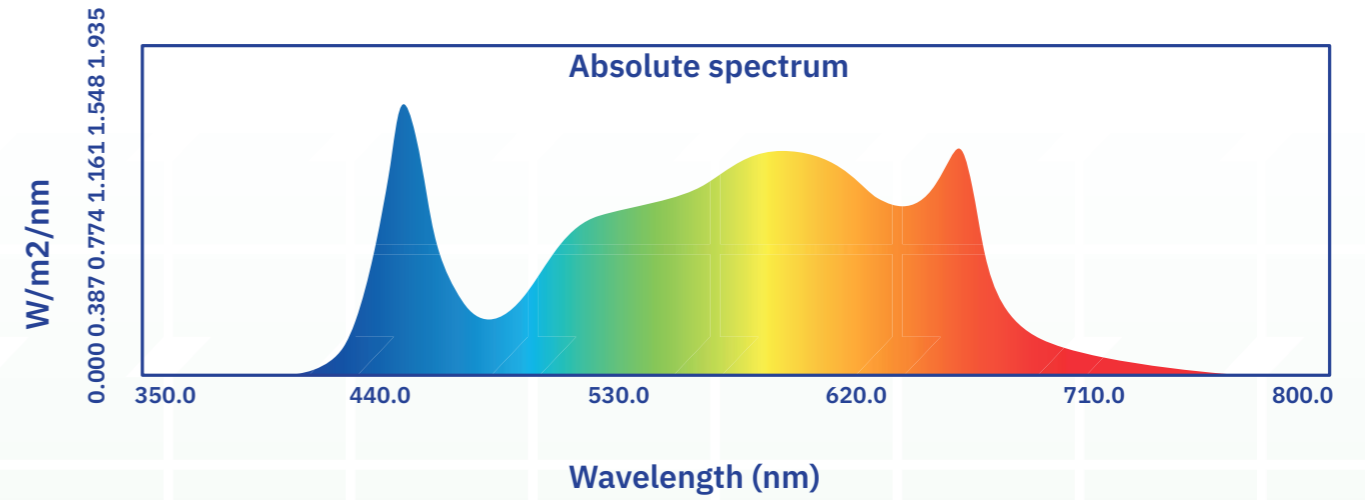


240W LED

GL-Phytonaut-240
LED Grow Light



Spectrum

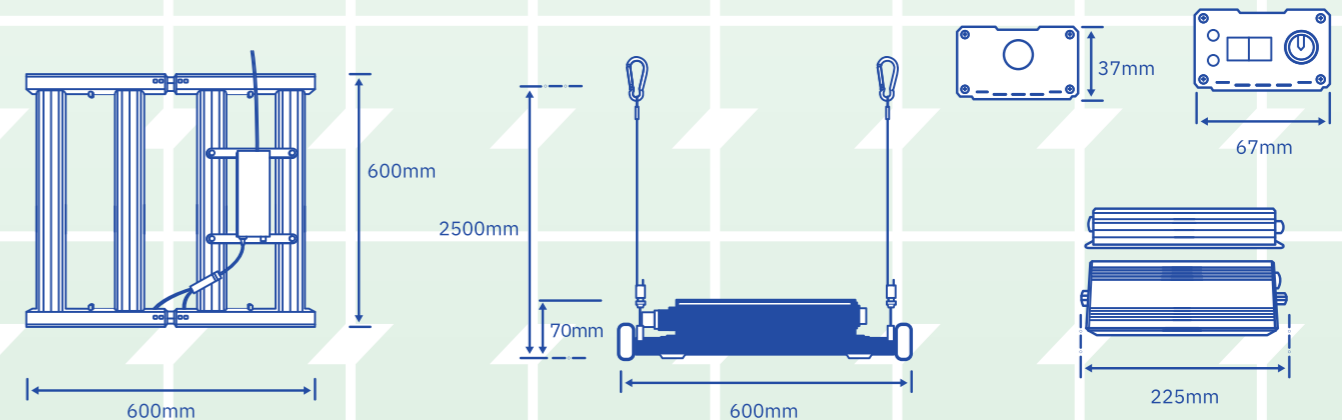


Specifications

Spectrum Full Spectrum
LED Sanan+Osram
PPF 697.10 μ mol/s*
Efficacy 2.82 μ mol/J*
Input Voltage 100-277V
Input Current 0.87-2.4A
Frequency 50/60Hz
Power Draw 240W
Light Dimensions
600 x 600 x 70mm

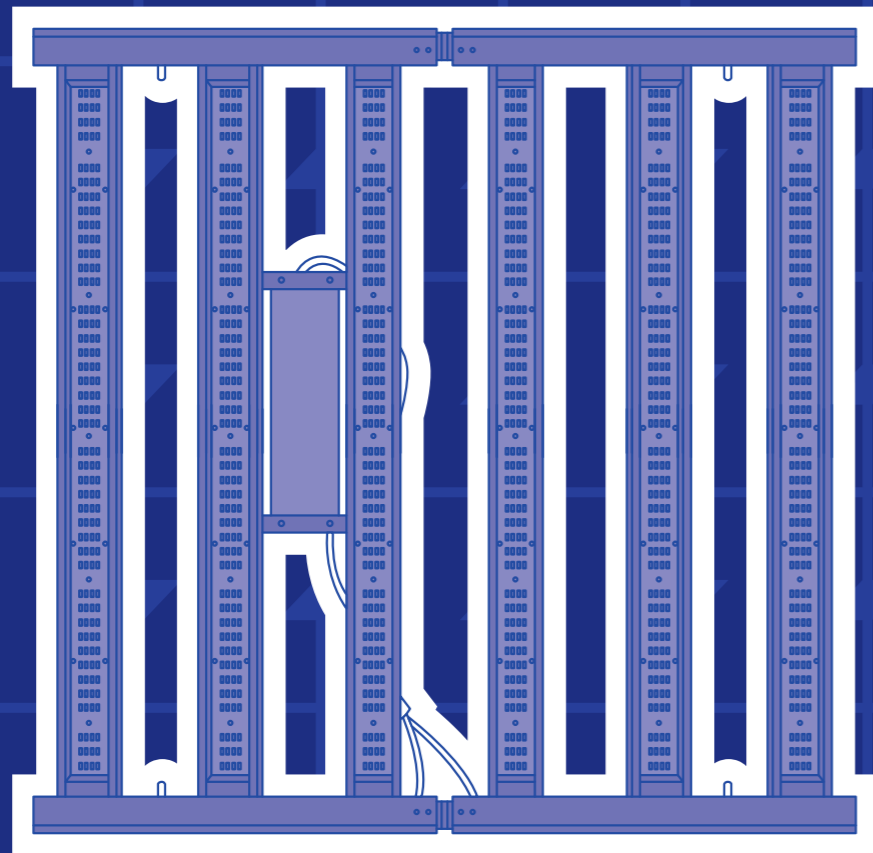
Net Weight 3.8 kg*
Operating temperature 0-40°C
Mounting Height \geq 30.48cm
Thermal Management Passive
Dimming Option
OFF/25%/50%/75%/100%
Light Distribution 120°
Lifespan \geq 54,000 hrs
Power Factor \geq 0.95
Waterproof Rate IP65

*Values may vary due to manufacturing tolerances and test conditions.

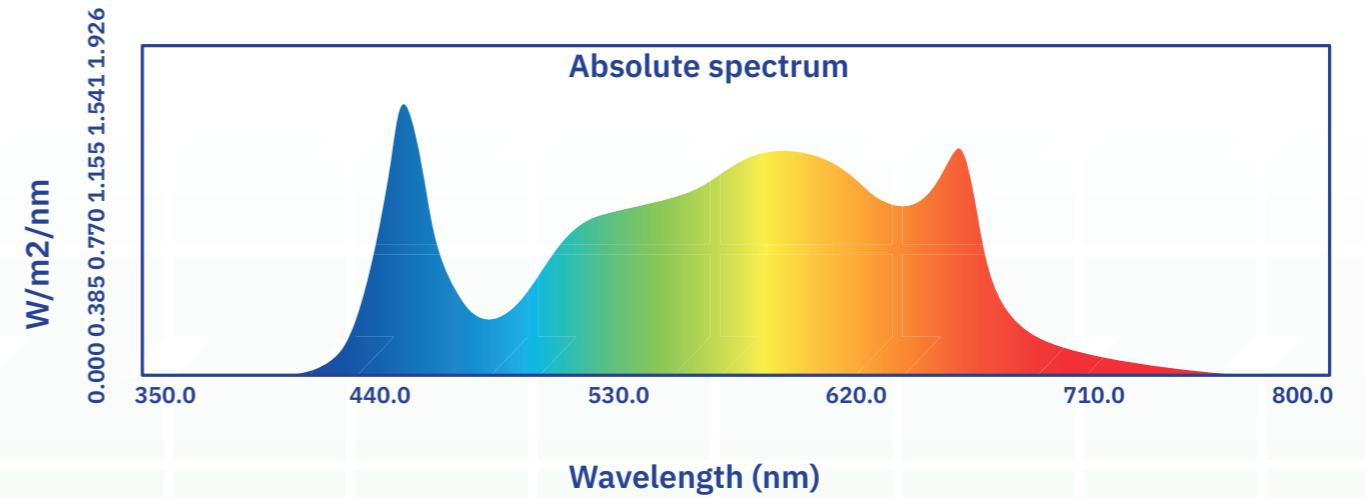


320W LED

GL-Phytonaut-320
LED Grow Light



Spectrum

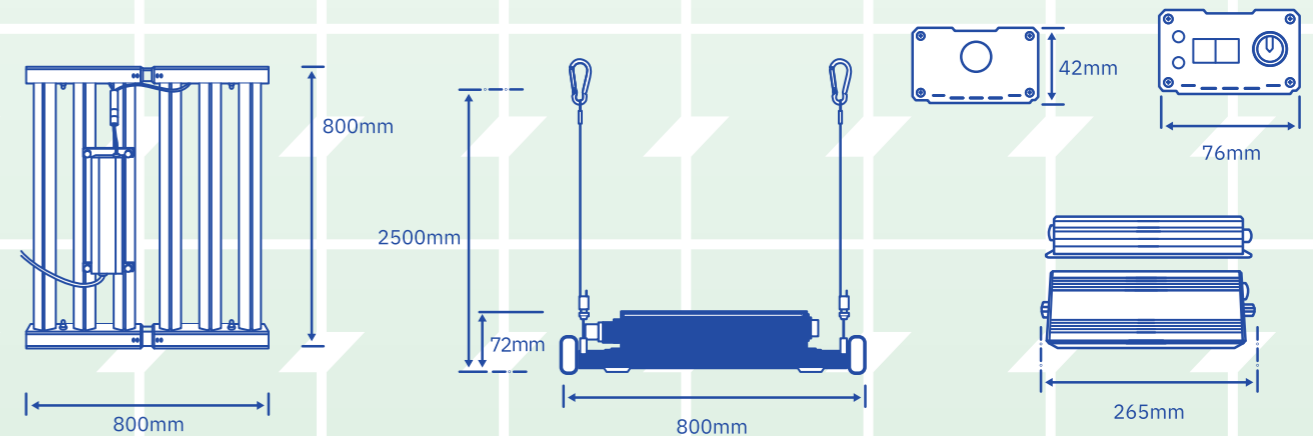


Specifications

Spectrum Full Spectrum
LED Sanan+Osram
PPF 927.64 μ mol/s*
Efficacy 2.83 μ mol/J*
Input Voltage 100-277V
Input Current 1.16–3.2A
Frequency 50/60Hz
Power Draw 320W
Light Dimensions
800 x 800 x 72mm

Net Weight 5.9 kg*
Operating temperature 0-40°C
Mounting Height \geq 30.48cm
Thermal Management Passive
Dimming Option
OFF/25%/50%/75%/100%
Light Distribution 120°
Lifespan \geq 54,000 hrs
Power Factor \geq 0.95
Waterproof Rate IP65

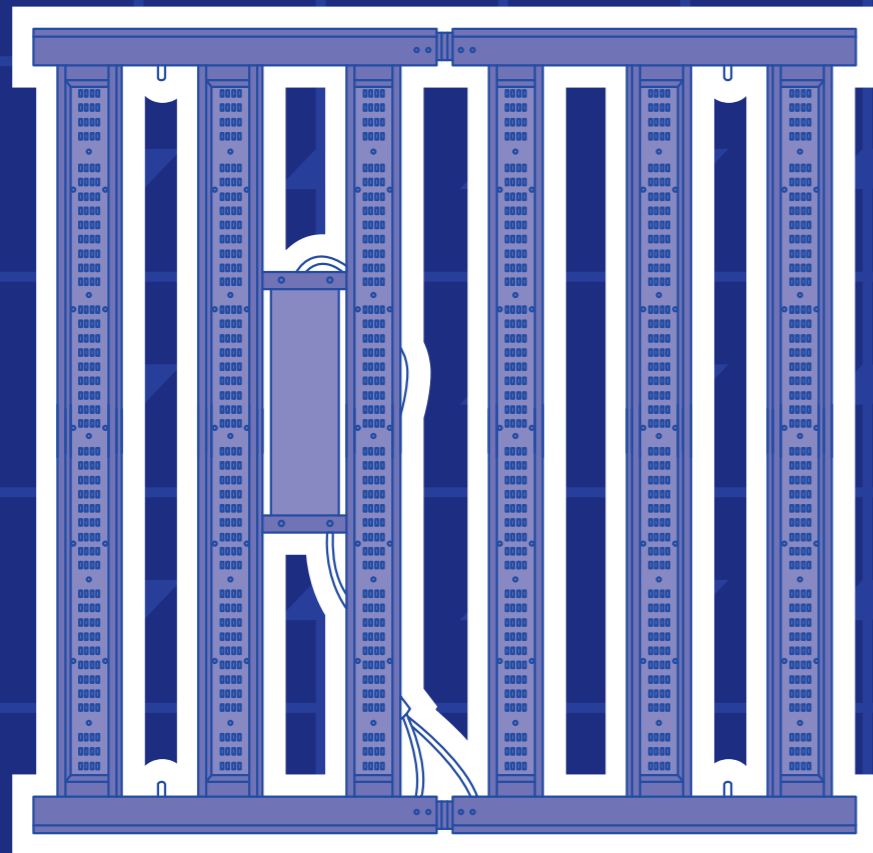
*Values may vary due to manufacturing tolerances and test conditions.



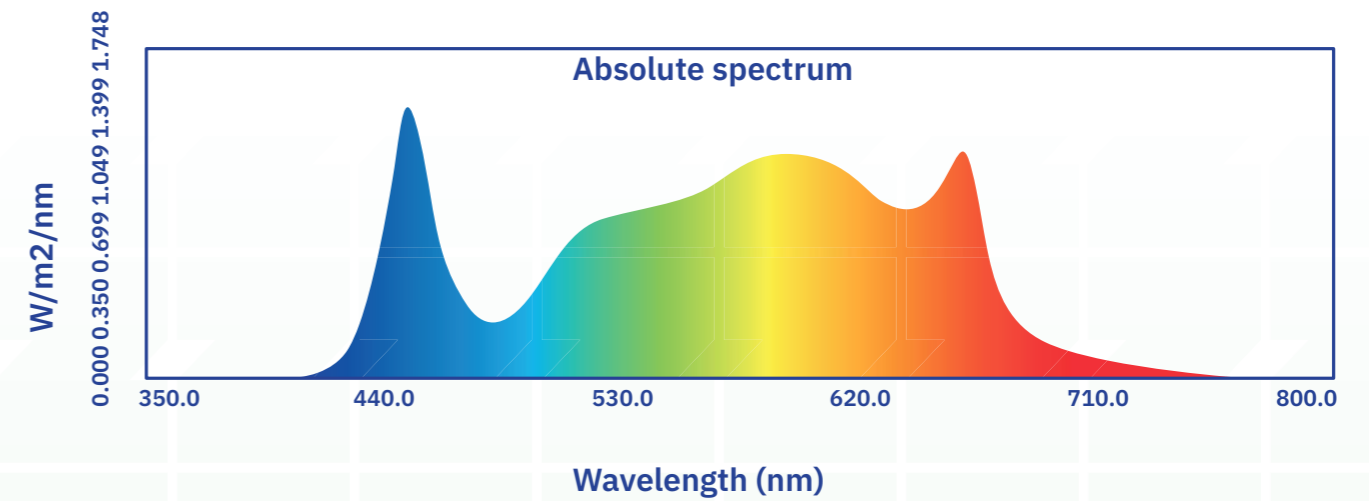
480W LED

GL-Phytonaut-480
LED Grow Light

12



Spectrum



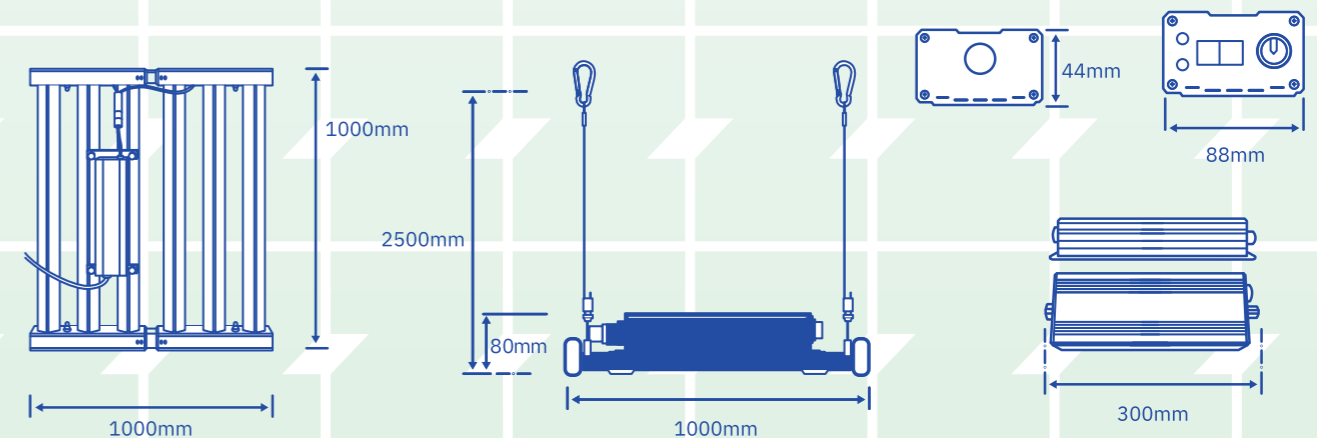
Specifications

Spectrum Full Spectrum
LED Sanan+Osram
PPF 1415.33μmol/s*
Efficacy 2.9μmol/J*
Input Voltage 100-277V
Input Current 1.73-4.8A
Frequency 50/60Hz
Power Draw 480W
Light Dimensions
1000 x 1000 x 80mm

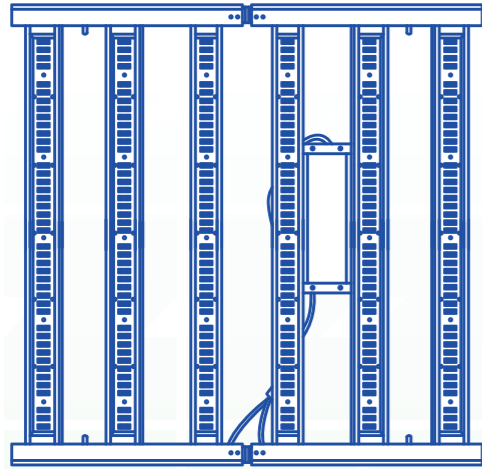
*Values may vary due to manufacturing tolerances and test conditions.

Net Weight 7.5 kg*
Operating temperature 0-40°C
Mounting Height ≥30.48cm
Thermal Management Passive
Dimming Option
OFF/25%/50%/75%/100%
Light Distribution 120°
Lifespan ≥54,000 hrs
Power Factor ≥0.95
Waterproof Rate IP65

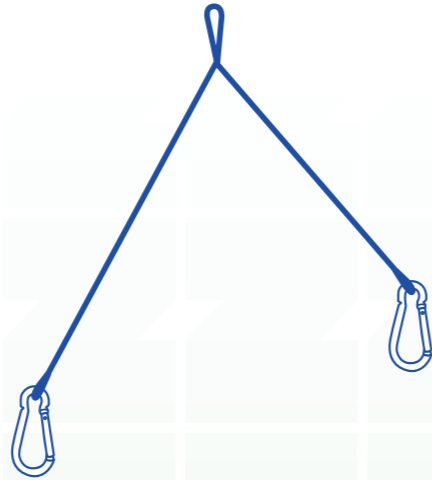
13



What's in the box

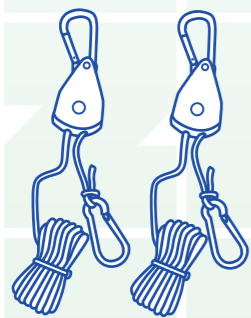


1x LED fixture

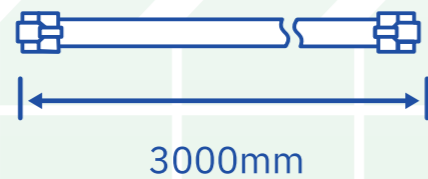


2x Steel cable

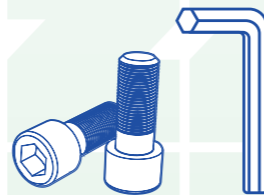
14



2x Rope ratchet



1x Signal cable



1x Screw set*

Driver mounting: installation

Installation Driver Mounting

Our 240W, 320W, and 480W LED fixtures are foldable and designed to allow flexible hanging orientations within the grow tent. The driver can be repositioned to different mounting locations on the fixture as needed. The driver is shipped mounted on the underside of the LED fixture for better protection during transport.

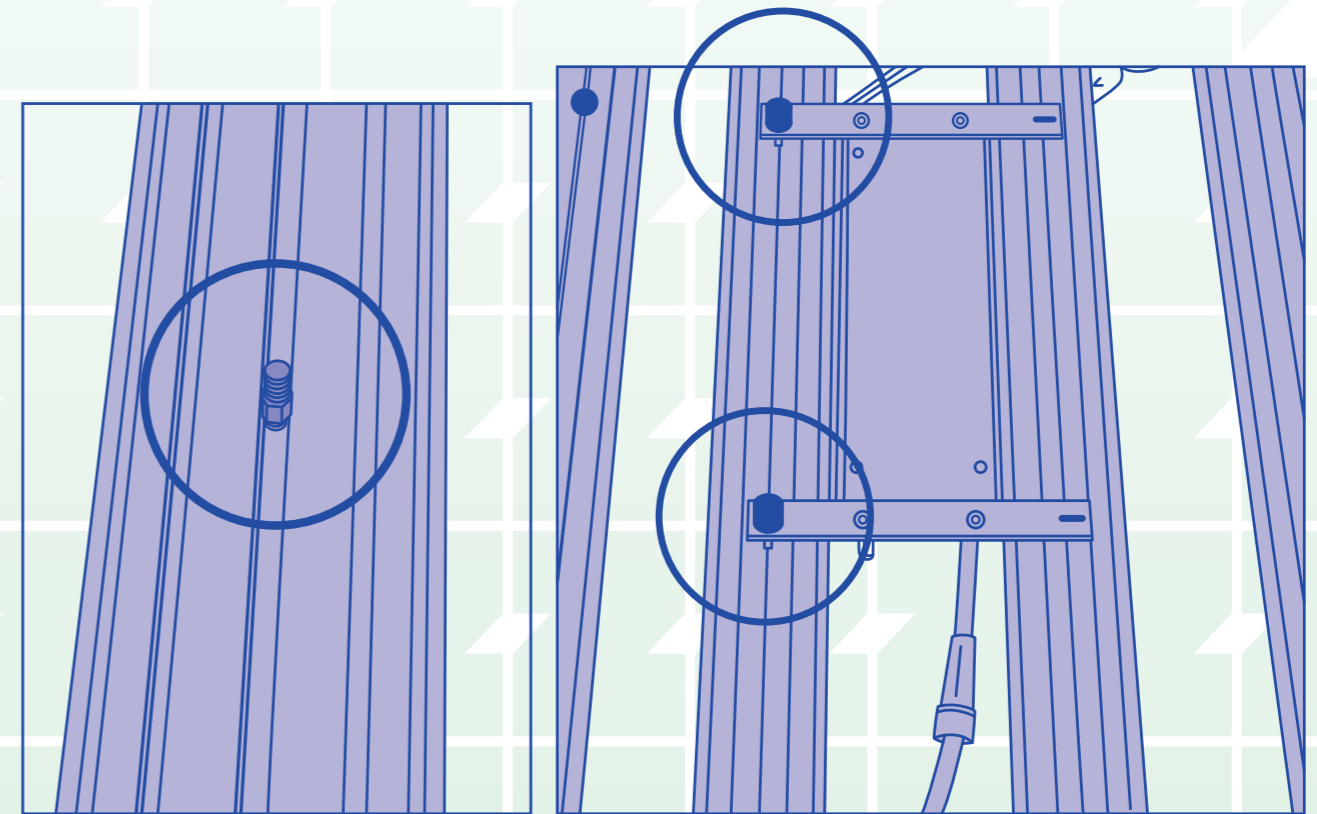
Follow the steps below to relocate the driver to a position that provides easy access and ensures balanced weight distribution and level hanging in your tent setup.

For the 120W model, go directly to the installation steps on page 18.

1 Unfold your Grow Light

Unfold the LED fixture completely so it lies flat. You'll see four screws with black caps on top which secure the driver in place. Unscrew all four black caps to expose the driver mounting bars.

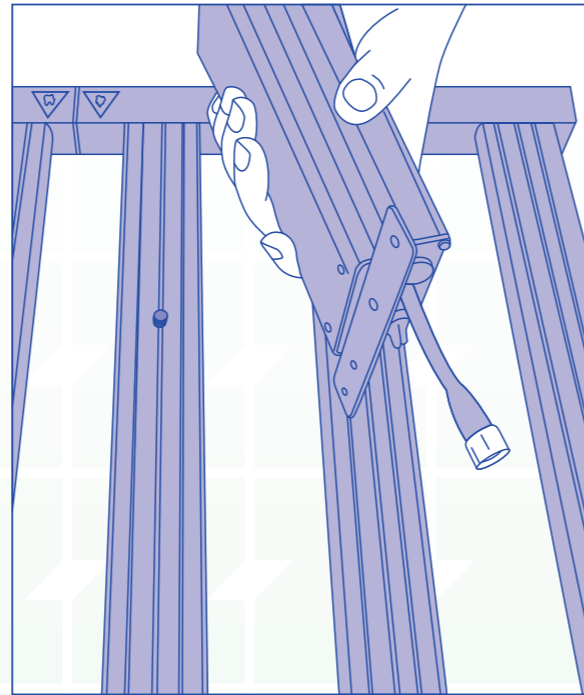
15



*Included with 240W, 320W, and 480W models only.

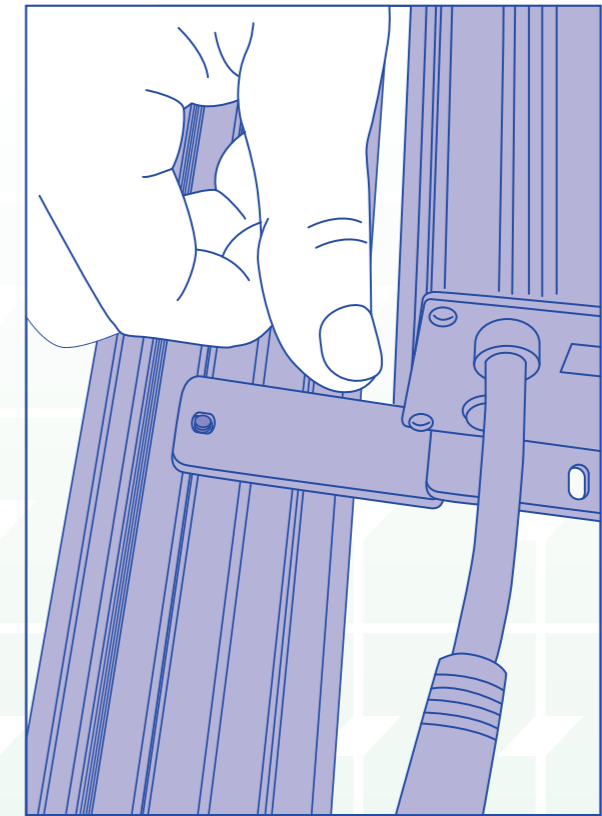
2 Flip the driver around

Choose the area on the light bars where you'd like to mount the driver, depending on your tent setup. Ensure that the driver will be easily accessible once the light is hanging inside your tent. Flip the driver so it faces the correct direction for your chosen position.



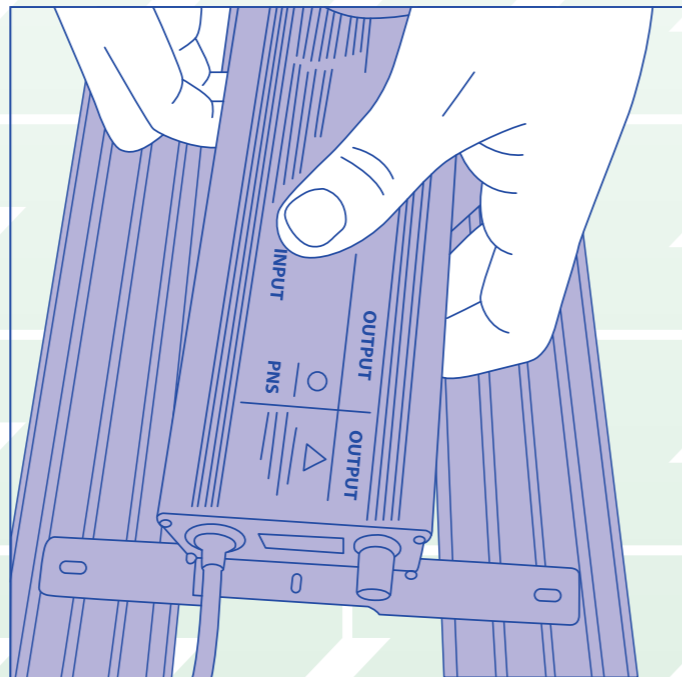
4 Attach the driver onto the light bars

Align the screws with the driver bracket. Insert the screws through the holes, and then screw the black caps back onto the screws.



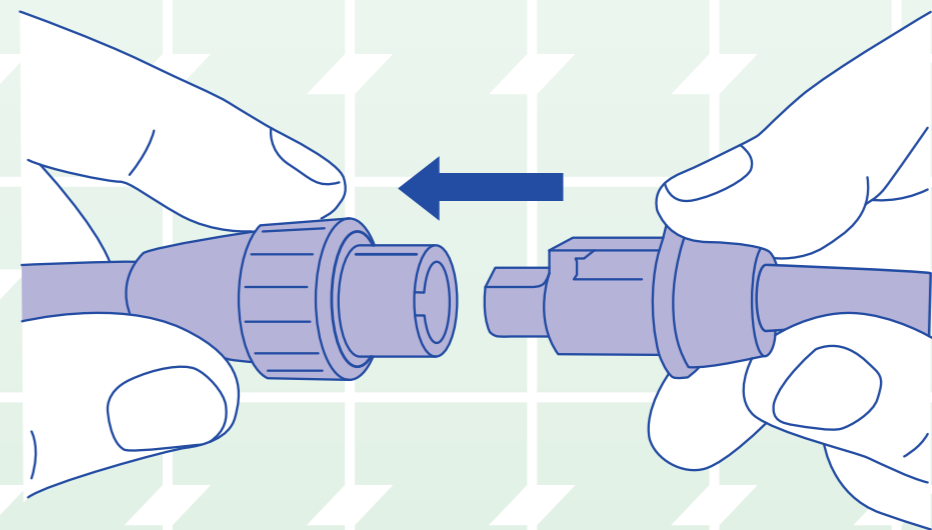
3 Place the driver between two light bars

Position the driver along the central axis of the fixture, between two light bars. This placement keeps the fixture balanced and level when hanging front-to-back.



5 Connect the driver cables to each other

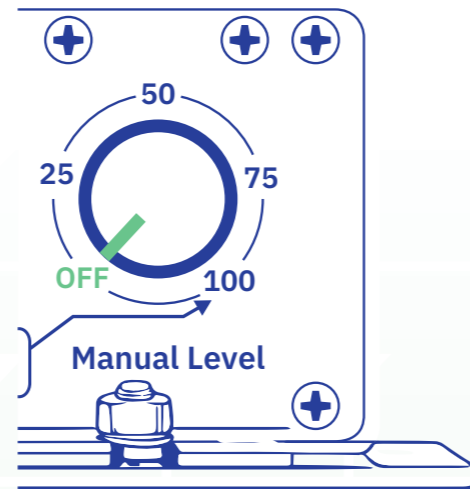
Firmly connect the driver cables until it clicks to ensure a secure connection.



Installation steps

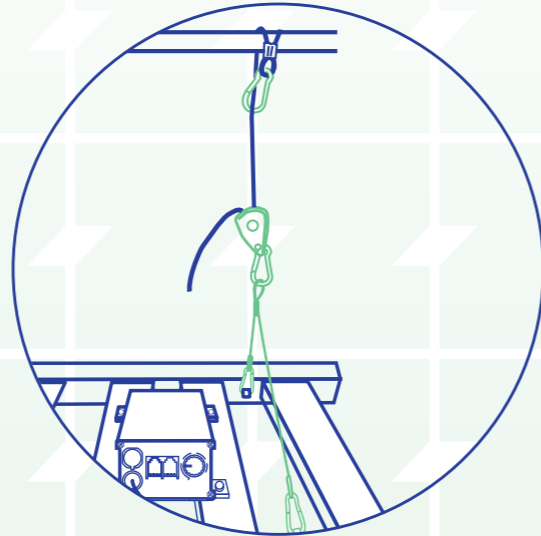
1 Preparation

- Make sure that the LED is switched off before installing.
- Ensure the installation area is safe, dry, and stable.
- Keep at least 50 cm clearance from flammable or explosive materials.



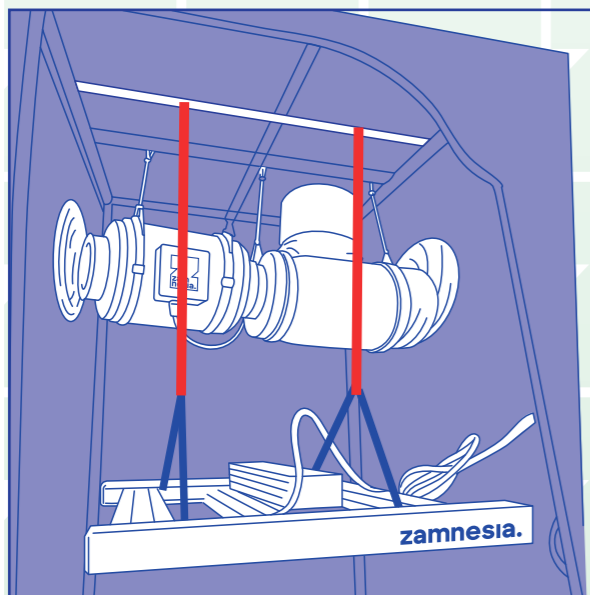
2 Mounting

- Hang the light using the supplied rope ratchets and steel cables.
- Attach one side at a time to prevent slipping or falling.

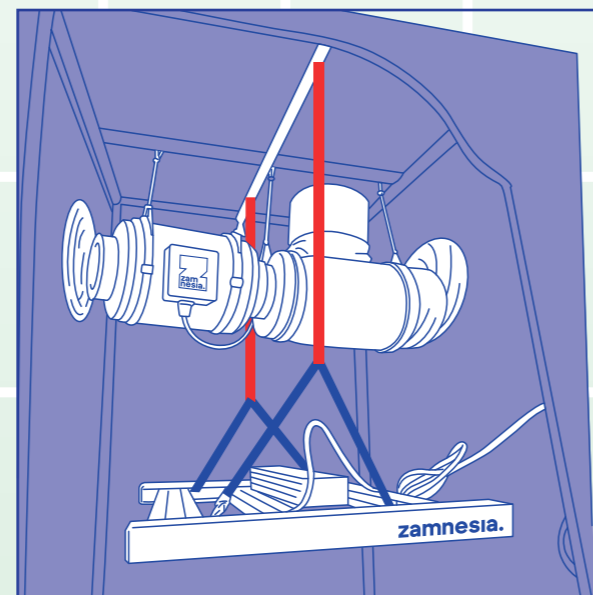


Hanging Method A

For larger spaces with multiple horizontal crossbars.



Hanging Method B



3 Connection

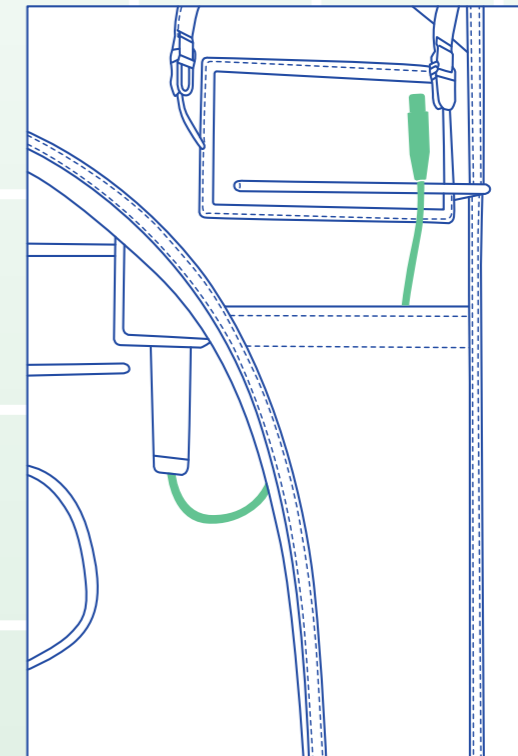
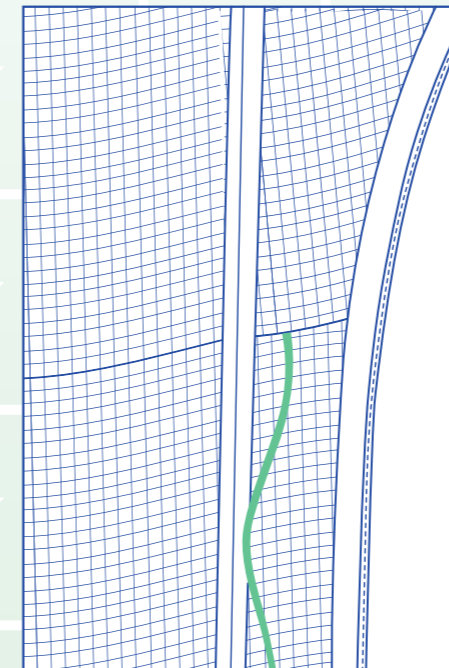
- Plug the fixture into a compatible outlet.
- Do not overload circuits or connect more units than recommended.

4 Connecting cable to controller*

Slide the cable from the LED Grow Light through the tent's cable opening located beneath the controller.

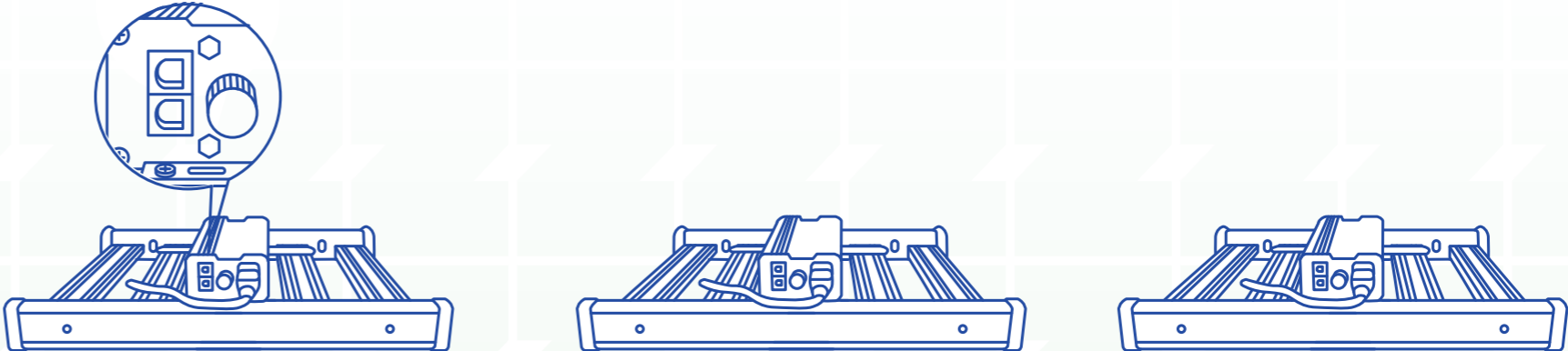
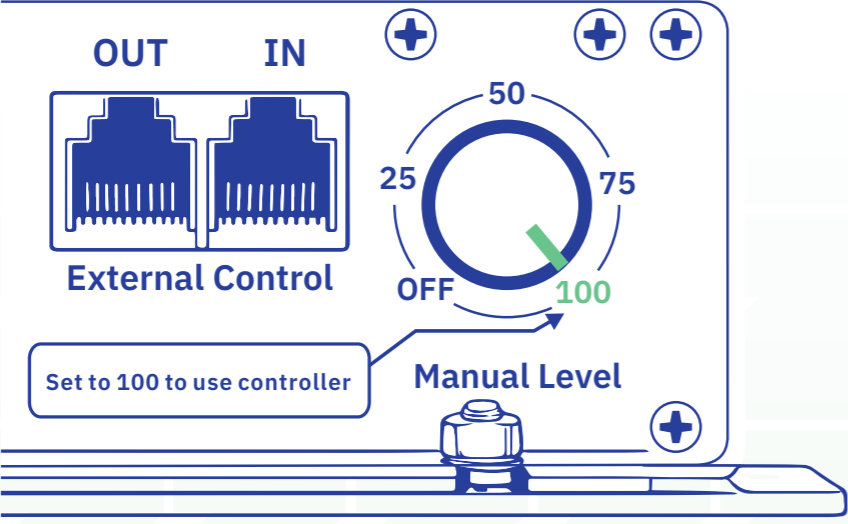
This opening links the inside of the tent to the controller area on the outside, allowing you to easily feed the cable through and connect it to the controller.

When connecting to the Zamnesia Grow Environment Controller, set the Manual Level knob to 100%.



**This page applies to Zamnesia grow tents only.*

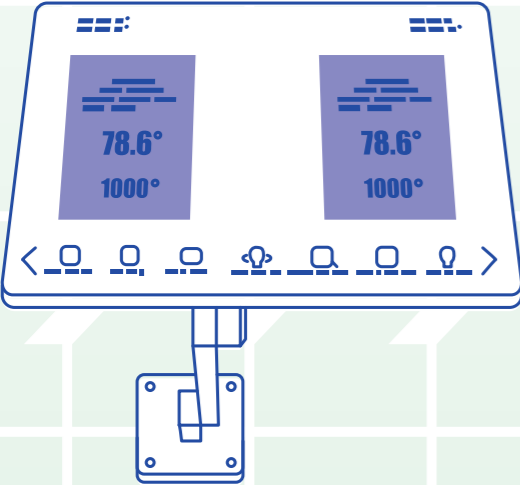
Connecting up to 100pcs



! Do not connect or disconnect RJ11 cables while the device is powered on.

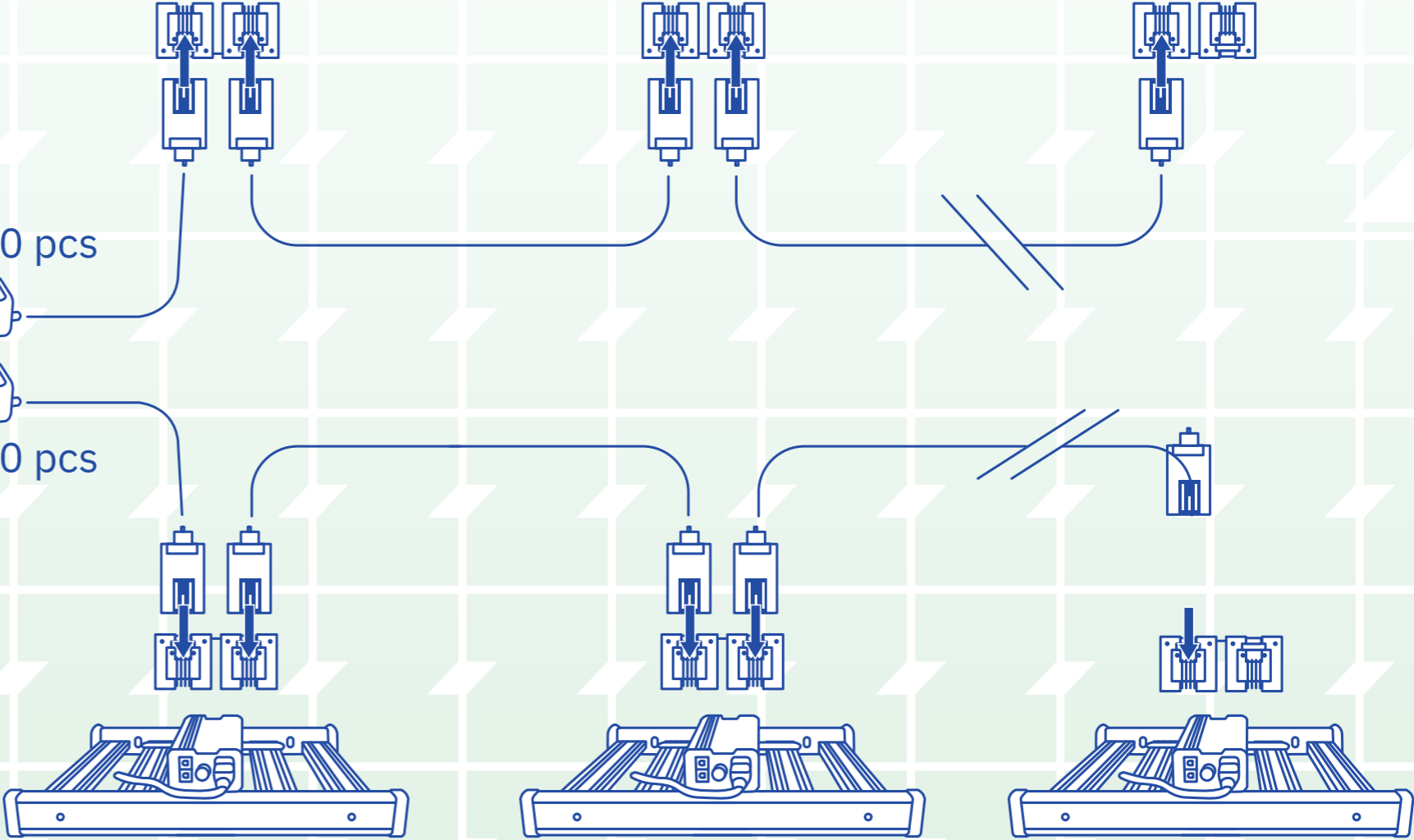
20

21



Maximum quantity: 100 pcs

Maximum quantity: 100 pcs



Environment

The lights are intended to be used in greenhouses and climate-controlled rooms and can be used in damp environments.

Please **DO NOT** use this product outdoors or in wet environments and **DO NOT** soak the light in water or expose it to direct sunlight.

DO NOT use detergents, abrasives, or other aggressive substances. The LED fixture operating temperature is between 32-104°F / 0-40°C.

The LED fixture uses passive cooling. Ensure adequate indoor air circulation whenever the light is operating.

Warning!

! Make sure the main power switch is off before connecting the LED fixture.

! Please do not connect or disconnect the LED fixture when under load.

! Ensure the cord is not coiled and does not touch any hot surfaces.

! Connect the cables according to local rules, safety regulations, and electrical codes.

! Ensure the external switching gear can cope with the inrush of the electric current of the LED fixture.

Installation requirements and precautions

- Please do not disassemble the product or replace the relevant accessories, please contact us in time if you have any questions.
- Product problems caused by unauthorized disassembly or replacement of accessories are not covered by warranty.
- Please regularly check if there is any dust or dirt buildup. Clean with soft cloth/microfibre if necessary. Contamination may cause overheating and can decrease performance or cause other unexpected issues.
- Only connect the light to power sources of the appropriate voltage using the plug received. Protect power cables from being pinched, or damaged, especially where the power cable enters the power outlet and the unit.
- If the provided plug does not fit your socket, please contact us for help by email immediately.
- When hanging and using the light, please strictly follow the installation/assembly steps, and do not exceed the maximum number of lights.
- When installing the light, appropriate positions should be selected to place or hang the light. When hanging the light, designed lifting ropes and hooks must be used to ensure that the weight of the light is within the weight range borne by the suspended objects.
- When installing the light ensure that there are no flammables and explosives within a distance of 50cm / 20 inches.
- Please use professional personnel to install the light. Any improper installation may cause personal injury or material damage.
- Prevent others from entering under the work area. Use a suitable stable and safe platform when installing or maintaining the light.
- Before installation please wear gloves as it may scratch or pollute the surface of the LED.
- Always wait for 30 minutes to cool down the LED fixture after you have turned it off. Otherwise, you could get burned if you touch the LED fixture during this time period.
- **DO NOT** look directly at the light due to the hazardous optical radiation when it is turned on. If you really need to check the LED while it's turned on, please wear protective sunglasses that block all UVA and UVB rays.

Safety/warnings

- Read all instructions carefully before installation or operation.
- Incorrect installation, use, or maintenance may result in electric shock, personal injury, or fire.
- Electrical connections must be carried out by a qualified person in accordance with applicable local electrical codes and EN/IEC regulations.
- This product is intended for indoor use only, in climate-controlled or enclosed environments.
- Do not expose the product to water or operate in wet conditions unless explicitly specified by the product rating.
- Do not look directly into the light source during operation.
- Always disconnect the product from the power supply before installation, inspection, cleaning, or maintenance.
- Do not modify the product or use accessories not specified by the manufacturer.
- Keep the product out of reach of children and persons requiring supervision.
- Dispose of this product in accordance with local waste and WEEE regulations. Do not dispose of a sidofjweiosfcsoivnw[ies with household waste.



Lorentzweg 7
5482 TP Schijndel
the Netherlands
www.zamnesia.com