

# GROW TENT SERIES

User manual

**zam  
nesia.**

**Thank you for  
choosing our  
Grow Tent!**



Team Zamnesia

# Information

## **Stable frame rods**

Strong black steel rods provide reliable support for lights, filters, and accessories.

## **Durable 900D Oxford fabric**

Heavy-duty fabric ensures zero light leaks and creates a stable, secure environment.

## **Heavy-duty zippers**

Reinforced zippers stand up to repeated use while keeping the grow space fully sealed.

## **Highly reflective diamond Mylar**

Interior lining maximises light efficiency and promotes healthy plant growth.

## **Smart ventilation ports**

Multiple ducting openings allow quick connection to fans and carbon filters for proper airflow and odour control.

## **Cable management ports**

Dedicated cable holes make it easy to organise and route electrical wires neatly.

## **Note on fabric wrinkles**

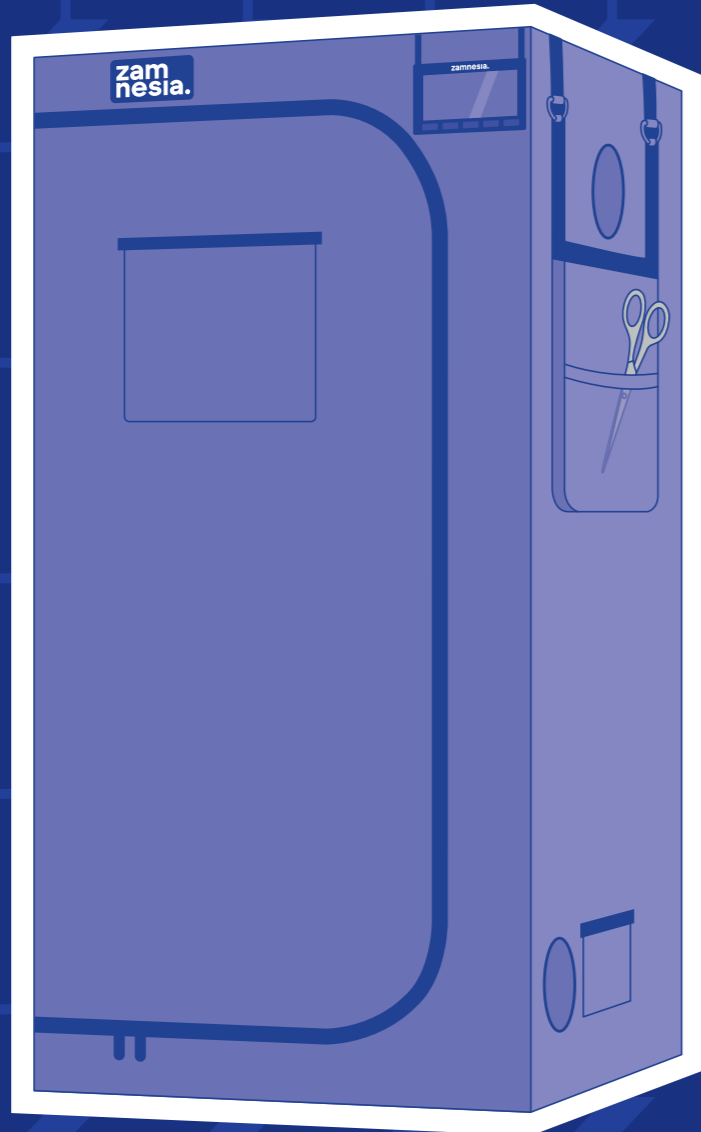
Your grow tent fabric may show some creases when first unpacked. This is completely normal, as the tent has been folded during packaging. Once assembled and under tension, most wrinkles will naturally smooth out within a short time. Any remaining folds are purely cosmetic and do not affect the tent's performance or durability.

# Manual index

<b>04</b>	<b>Information</b>
<b>07</b>	<b>What's in the box</b>
<b>08</b>	<b>Assembly Guide</b>
<b>12</b>	<b>Safety/warnings</b>

# GROW TENT SERIES

6



## What's in the box

A - B - C Framework support

E - F Crossbars\*

A  (8x)

E  (1x)

B  (4x)

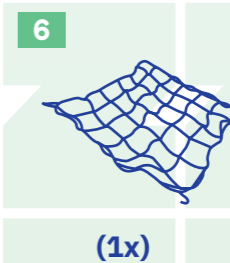
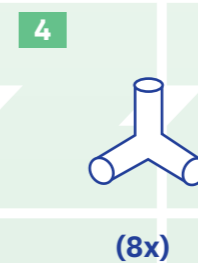
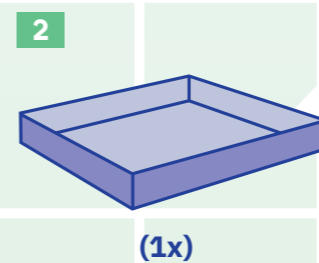
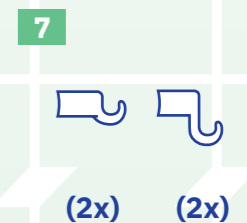
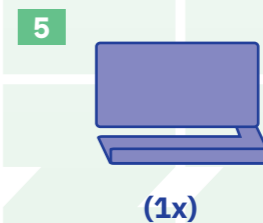
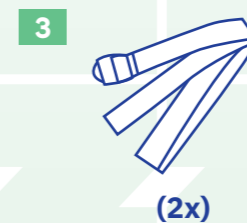
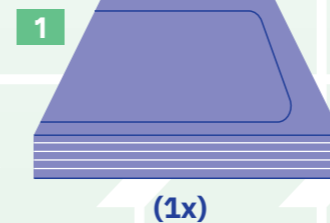
F  (1x)

C  (4x)

- 1 Tent fabric
- 2 Floor tray
- 3 Hanging straps
- 4 Corner adapters

- 5 Magnetic controller holder
- 6 SCROG net
- 7 Plastic hooks\*
- 8 External tool bag

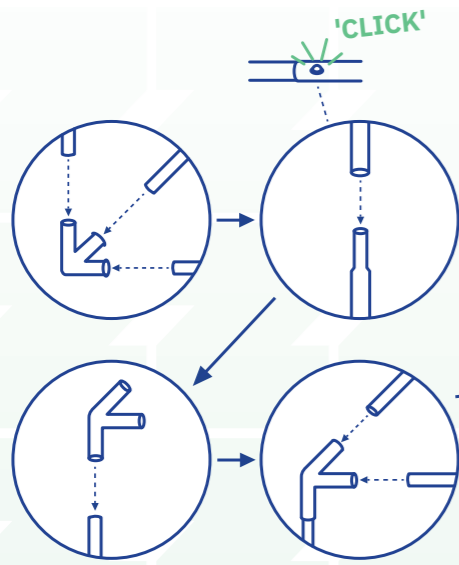
7



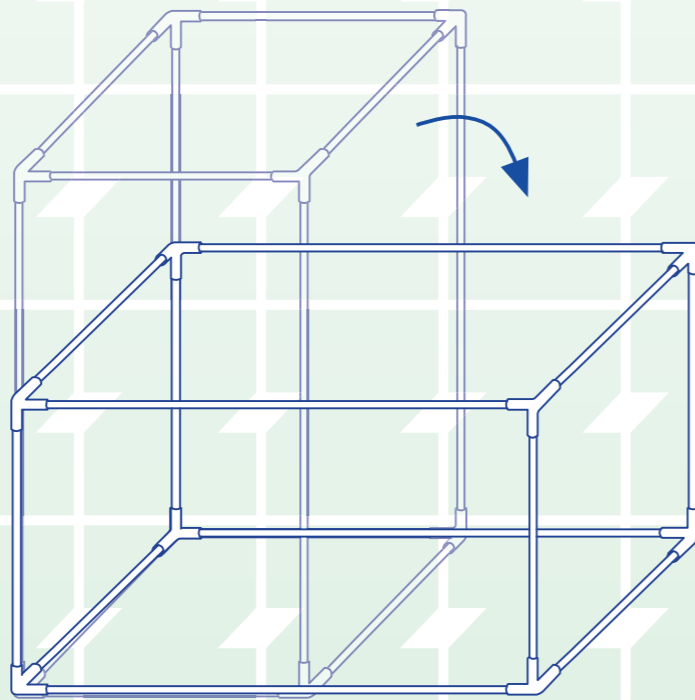
\*Quantity doubled with the sizes 100x100x200cm and 120x120x200cm.

# Assembly guide

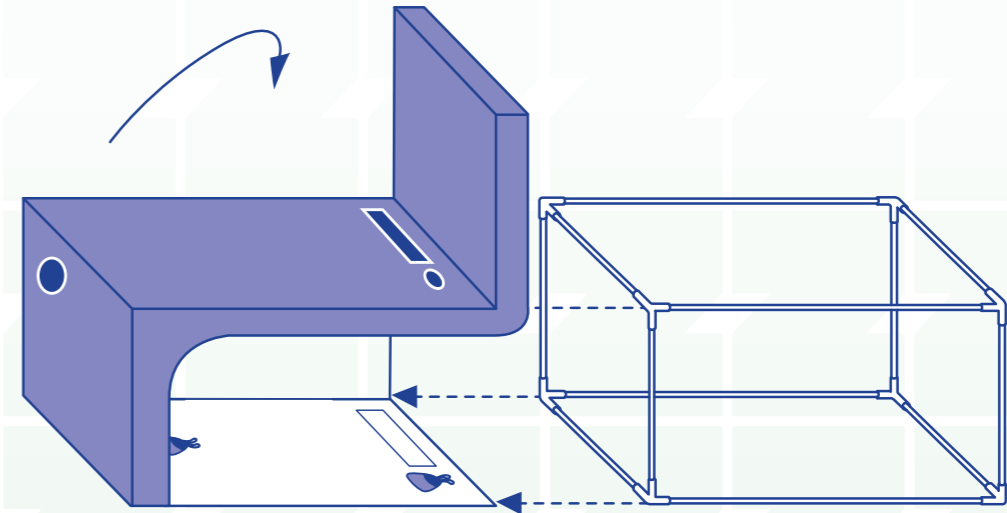
- 1 Assemble the frame**  
Connect the frame rods in alphabetical order until the structure clicks securely in place.



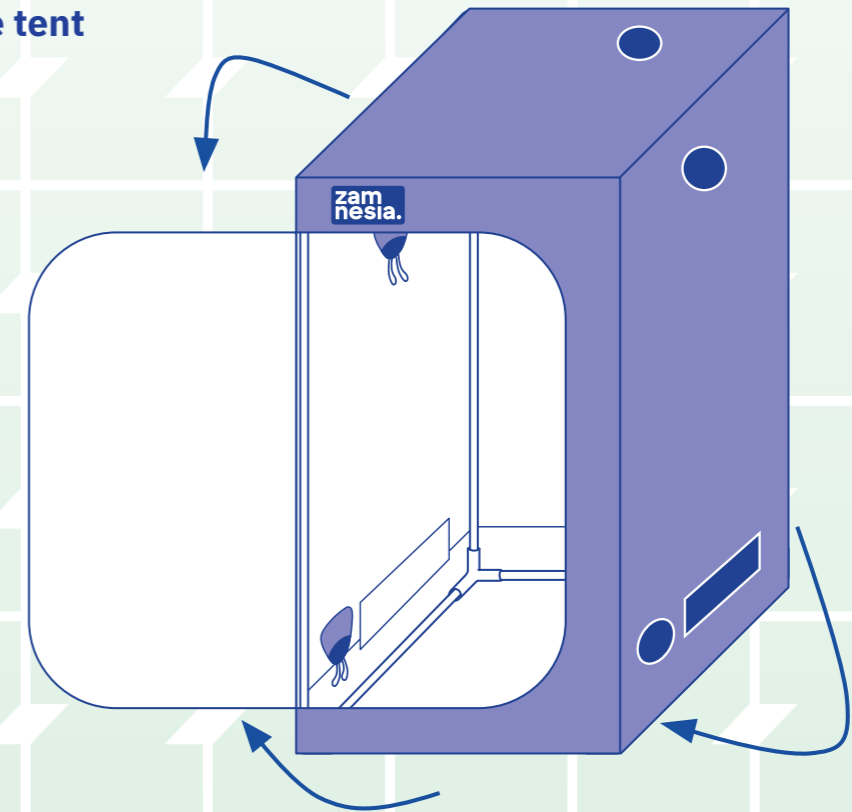
- 2 Lay the frame flat**  
Start assembly horizontally for easier setup.



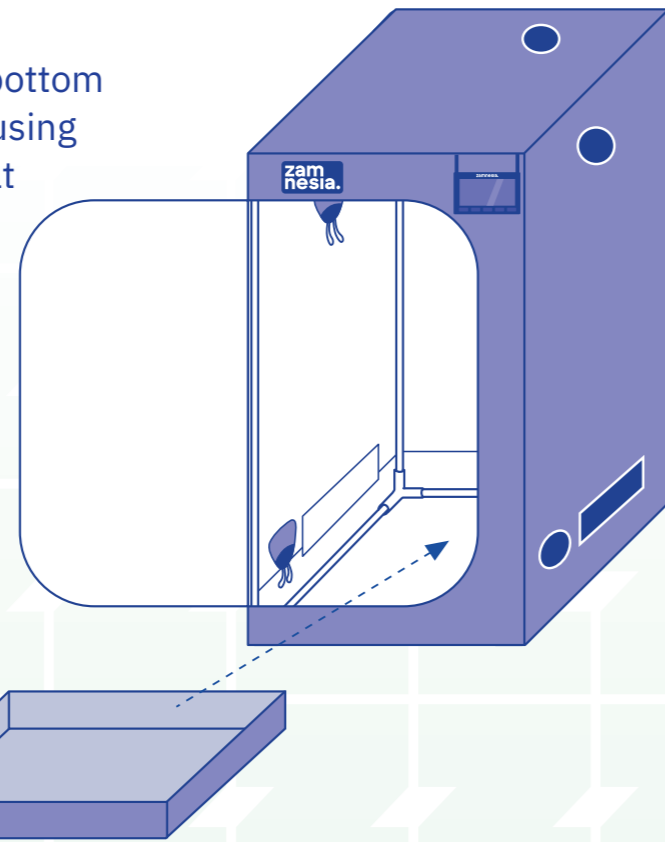
- 3 Fit the tent fabric**
- Unzip all zippers fully.
  - Pull the fabric over the top of the frame carefully, ensuring all corners align.
  - Position the tent so that it sits squarely on the frame.



- 4 Stand the tent upright**

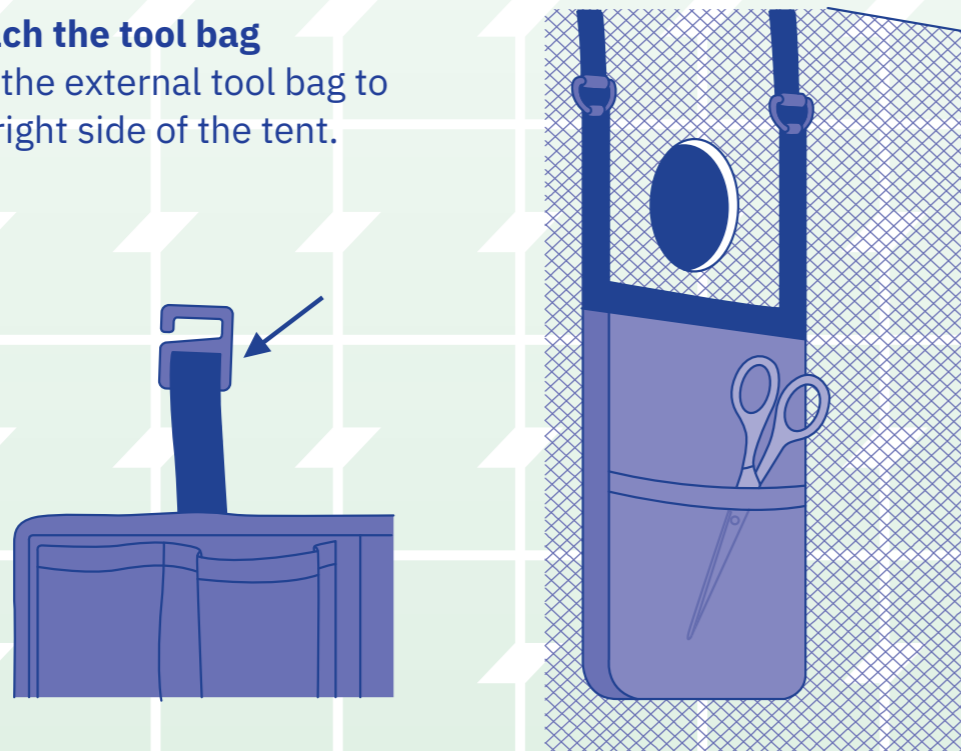


- 5 Install the floor tray**  
Place the tray at the bottom of the tent. Secure it using the Velcro fasteners at each corner.



10

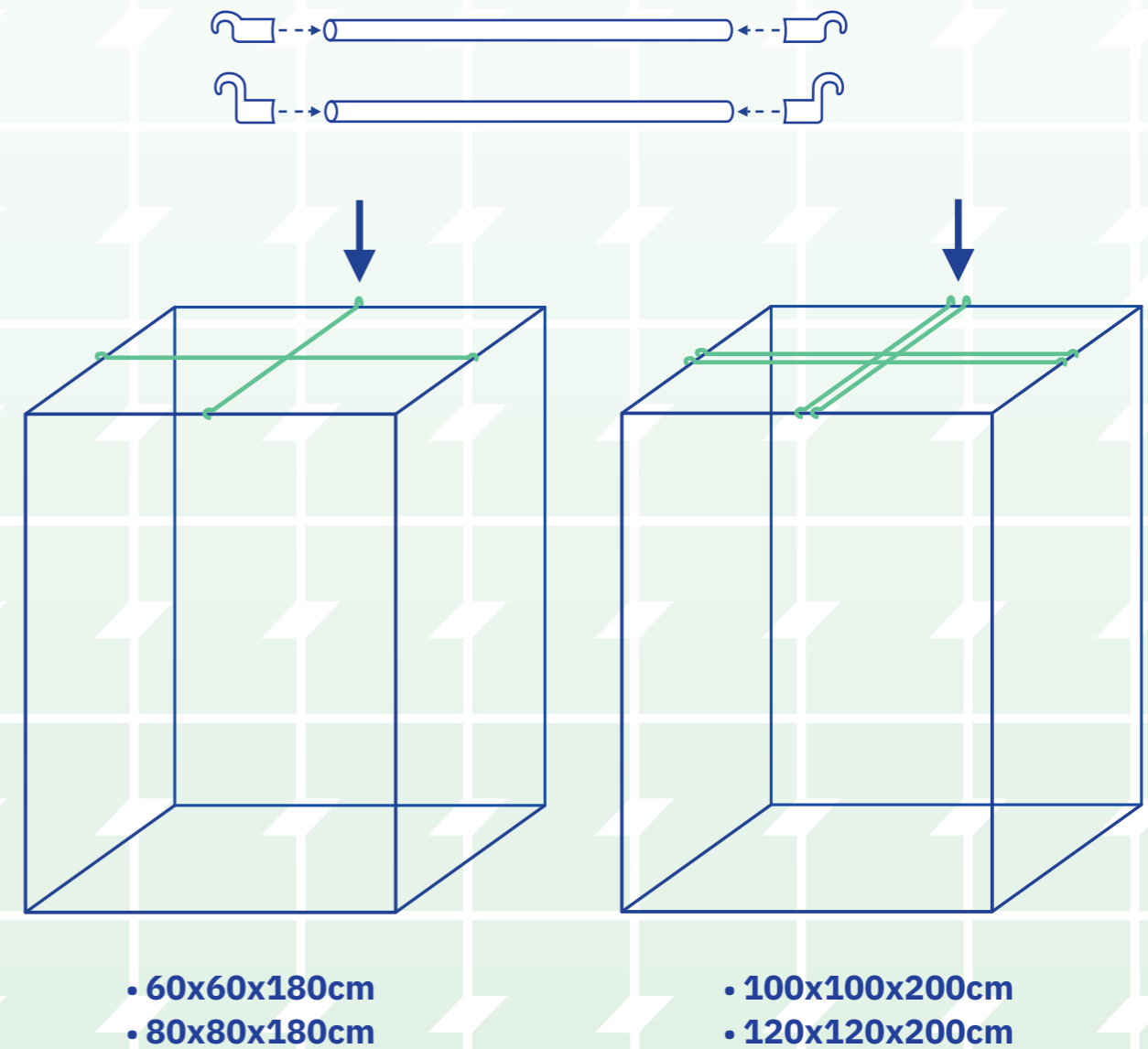
- 6 Attach the tool bag**  
Clip the external tool bag to the right side of the tent.



- 7 Install crossbars**  
Place crossbars on the top frame.

For optimal use:

- Attach the (two) crossbar(s) with deeper hooks in the centre of the top frame.
- Position the remaining (two) crossbar(s) horizontally on either side.
- This arrangement maximises space and load distribution for hanging equipment.



11

# Safety/warnings

- Read all instructions carefully before assembly or use.
- Incorrect assembly or use may result in damage, personal injury, or reduced structural stability.
- This product is intended for indoor use only.
- Do not expose the grow tent to open flames, heaters, or other heat sources.
- Do not exceed the maximum recommended load capacity of the frame or hanging bars.
- Ensure all frame components, connectors, and fasteners are fully secured before use.
- Place the tent on a flat, stable surface to prevent tipping or collapse.
- Keep electrical equipment and cables inside the tent properly managed and away from moisture.
- Keep the product out of reach of children and persons requiring supervision.
- Dispose of packaging materials in accordance with local waste regulations.



Lorentzweg 7  
5482 TP Schijndel  
the Netherlands  
[www.zamnesia.com](http://www.zamnesia.com)